



Telephone Socket Outlets



The smooth modern lines of the Polar accessory plate will fit easily into traditional and contemporary designs alike.

Polar Telephone socket outlets are designed to fit effortlessly with the range, with simple installation to enhance the décor of any area.

Telephone Socket Outlets

Product Range

Telephone Socket Outlets - Polycarbonate

PRW115	RJ11 (Irish/US) Outlet
PRW120	Single Telephone Outlet - Master
PRW121	Twin Telephone Outlet - Master
PRW125	Single Telephone Outlet - Secondary
PRW126	Twin Telephone Outlet - Secondary

Telephone Socket Outlets - Urea

PRW119	Single Telephone Outlet - Master
PRW122	Twin Telephone Outlet - Master
PRW124	Single Telephone Outlet - Secondary
PRW127	Twin Telephone Outlet - Secondary



PRW115



PRW120, PRW125



PRW121, PRW126



PRW119, PRW124



PRW122, PRW127

Errors & Omissions excluded. Specification is subject to change without notice.

V1.0

Scolmore International Ltd, 1 Scolmore Park, Landsberg, Lichfield Road Ind. Estate, Tamworth, Staffordshire, B79 7XB

Telephone: 01827 63454

E-mail: sales@scolmore.com, technical@scolmore.com

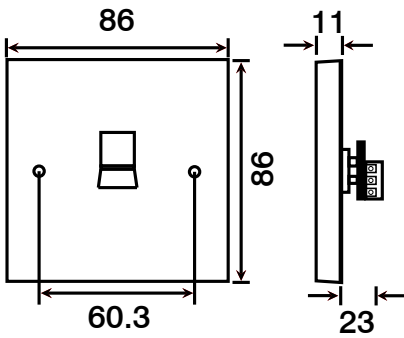
Facsimile: 01827 63362

Website: www.scolmore.com

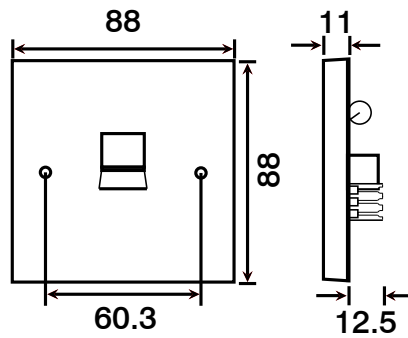
Telephone Socket Outlets

Product Dimensional Drawings (mm)

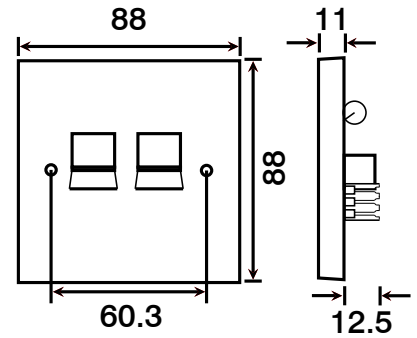
PRW115



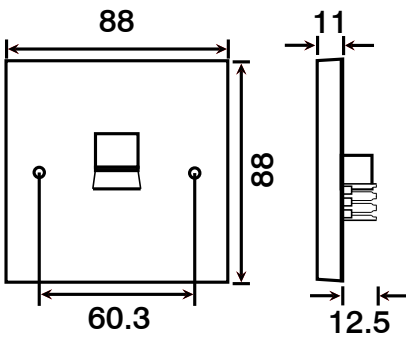
PRW119, 120



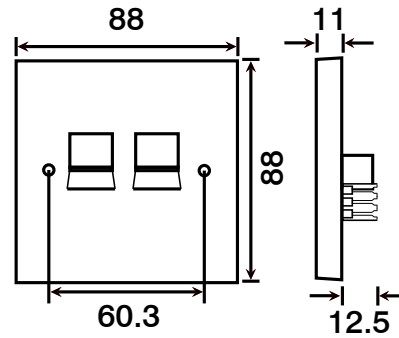
PRW121, 122



PRW124, 125



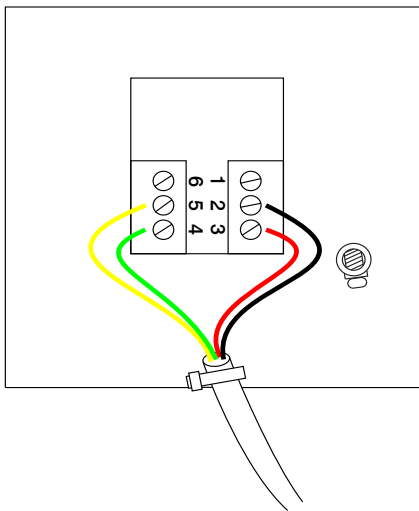
PRW126, 127



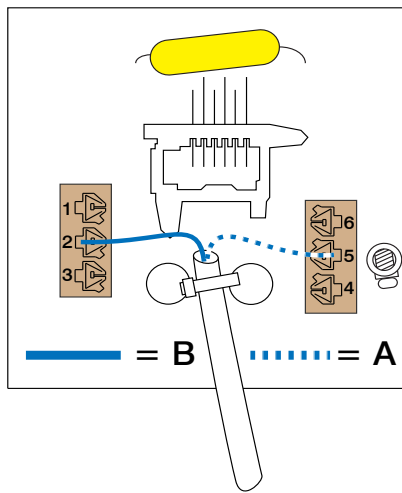
Telephone Socket Outlets

Wiring Diagrams

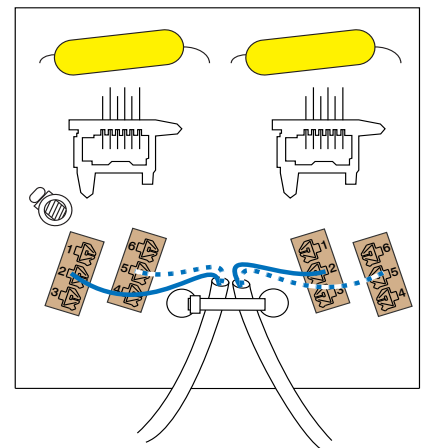
PRW115



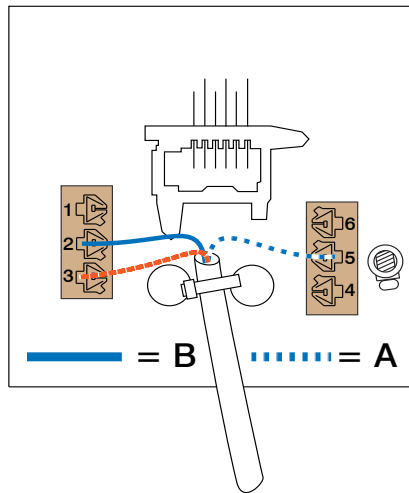
PRW119,120



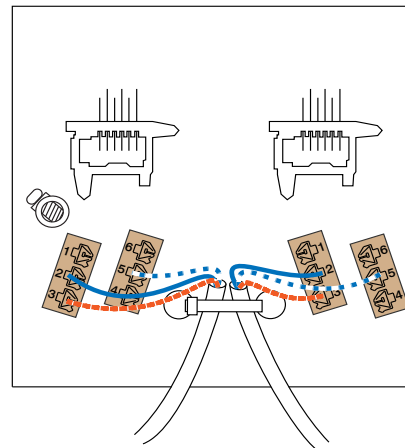
PRW121,122



PRW124,125



PRW126,127



Telephone Socket Outlets

Technical Specification

Telephone Socket Outlets

Material Composition	Front Plate: Urea or Polycarbonate
Connection Types	RJ11 Socket - Screw Terminals RJ45 and Telephone Sockets - IDC
Back Box Depth	16mm - 47mm
Warranty	20 Years
Anti Microbial Certified	Yes
IP Rating	IP20
Operational Temperature	-5° to +40°C
Standards	The Low Voltage Directive 2006/95/EC BS 6312-2-2:1997 (where applicable) BS EN 50173-1:2011 (where applicable) BS 5733:1995 (where applicable) Modified ISO 22196

Additional Information

Ensure that the mains supply is isolated before commencing installation and refer to the circuit diagram with the relevant product.

Bare earth cables must always be covered with appropriate sleeving and wired to the earth terminal.

All white moulded accessories are manufactured using Urea Formaldehyde, which has similar inherent properties to antimicrobial additives that inhibit the growth of infectious diseases. All products were independently tested and achieved a 99.9% kill rate across all four types of the strains of bacteria - MRSA, E-Coli, Salmonella, and Klebsiella Pneumoniae.



DECLARATION OF CONFORMITY

- 1. *Issuer Name* Scolmore International Limited
- 2. *Issuer Address* 1 Scolmore Park, Landsberg,
Lichfield Road Industrial Estate,
Tamworth, Staffordshire, B79 7XB
- 3. *Object(s) of Declaration* Polar Range
 - a. *Group* Telephone Socket Outlets
 - b. *Model No.* PRW115, PRW119, PRW120, PRW121, PRW122, PRW124, PRW125,
PRW126, PRW127

4. *The object of the declaration described above is in conformity with the requirements of the following Legislations:*

Document No	Title
2006/95/EC	Low Voltage Directive

5. *All products contained within the aforementioned comply with the relevant standards and requirements listed below.*

- BS 6312-2-2 : 1997 (where applicable)
- BS EN 50173-1 : 2011 (where applicable)
- BS 5733 : 1995 (where applicable)

6. *I hereby declare that the equipment named above has been designed to comply with the relevant sections of the above referenced specifications. The unit complies with all applicable Essential Requirements of the Directives.*

In conjunction with the above all manufacture and process controls are in accordance with ISO 9001:2008

Signed, for and on behalf of: Scolmore International Limited

Steven Bettson BSc - Senior Technical Support Engineer

