



## ***TV & Satellite Socket Outlets***



The smooth modern lines of the Polar accessory plate will fit easily into traditional and contemporary designs alike.

Polar TV and Satellite outlets are designed to fit effortlessly with the range, with simple installation to enhance the décor of any area.

**TV & Satellite Socket Outlets**

**Product Range**

**Non-Isolated Coaxial & Satellite Socket Outlets (Unshielded)**

<b>PRW065</b>	Single Non-Isolated Coaxial Socket Outlet
<b>PRW066</b>	Twin Non-Isolated Coaxial Socket Outlet
<b>PRW156</b>	Single Non-Isolated Satellite Socket Outlet
<b>PRW170</b>	Non-Isolated Satellite & Non-Isolated Coaxial Socket Outlet

**Isolated Coaxial & Satellite Socket Outlets (Unshielded)**

<b>PRW157</b>	Isolated Satellite & Isolated Coaxial Socket Outlet
<b>PRW158</b>	Single Isolated Coaxial Socket Outlet
<b>PRW159</b>	Twin Isolated Coaxial Socket Outlet



PRW065



PRW066



PRW156



PRW170



PRW157



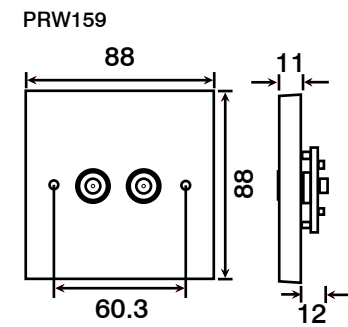
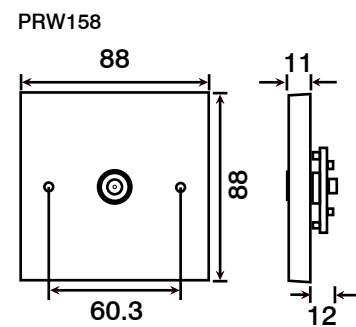
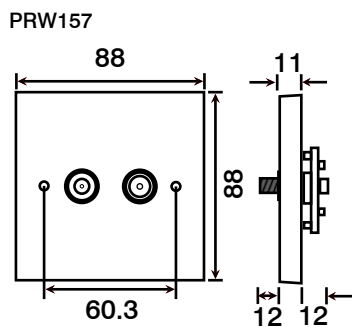
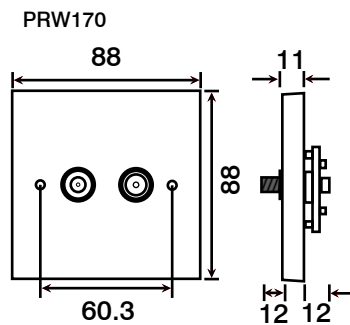
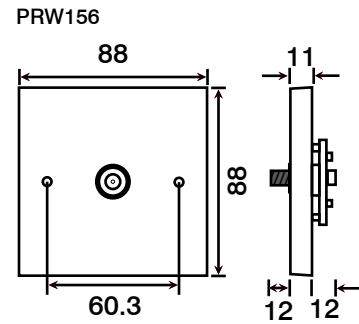
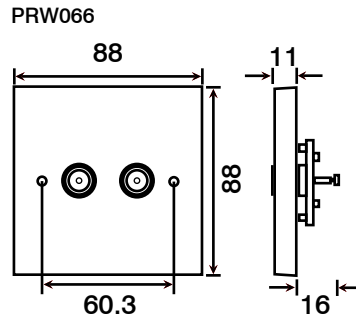
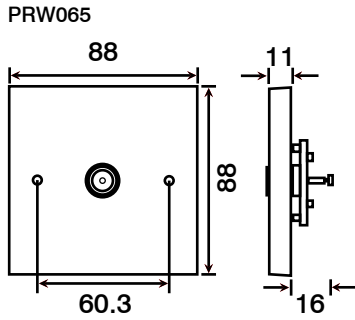
PRW158



PRW159

**TV & Satellite Socket Outlets**

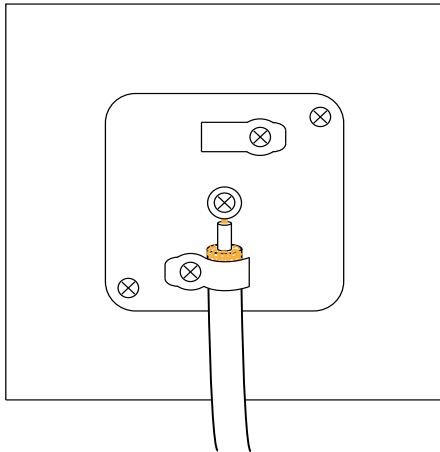
**Product Dimensional Drawings (mm)**



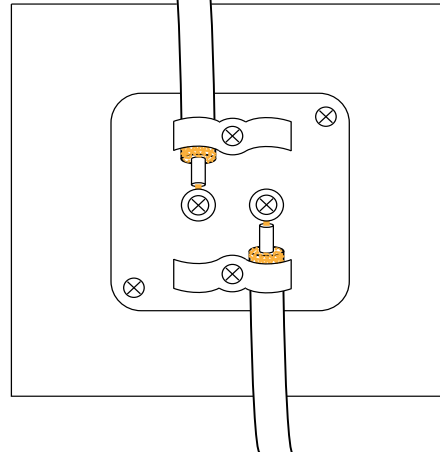
**TV & Satellite Socket Outlets**

**Wiring Diagrams**

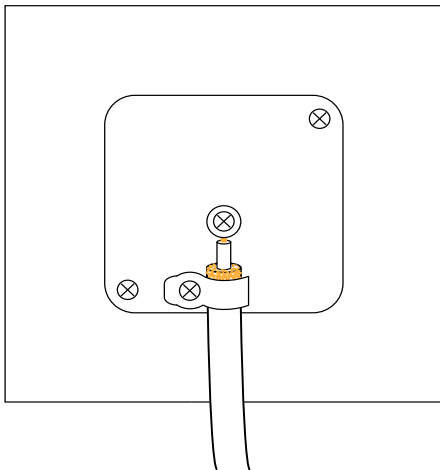
**PRW065**



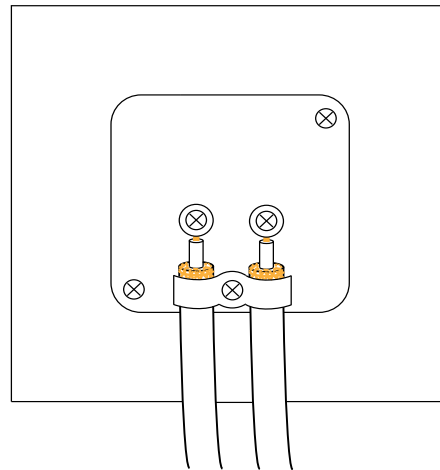
**PRW066**



**PRW156, 158**



**PRW157, 159, 170**



## TV & Satellite Socket Outlets

### Technical Specification

#### TV & Satellite Socket Outlets

<b>Material Composition</b>	Front Plate: Urea
<b>Back Box Depth</b>	16mm - 47mm
<b>Warranty</b>	20 Years
<b>Anti Microbial Certified</b>	Yes
<b>IP Rating</b>	IP20
<b>Operational Temperature</b>	-5° to +40°C
<b>Standards</b>	The Low Voltage Directive 2006/95/EC BS 5733:1995 (where applicable) Modified ISO 22196

#### Additional Information

**Non-Isolated:** Direct connection to aerial where two way signal is required i.e. Receiver/Decoders.

**Isolated:** Incoming signal is allowed to pass through from the aerial but the return signal is blocked i.e. communal dish or aerials.

**Screened:** Connections in the plate are protected from external interferences.

All white moulded accessories are manufactured using Urea Formaldehyde, which has similar inherent properties to antimicrobial additives that inhibit the growth of infectious diseases. All products were independently tested and achieved a 99.9% kill rate across all four types of the strains of bacteria - MRSA, E-Coli, Salmonella, and Klebsiella Pneumoniae.



**DECLARATION OF CONFORMITY**

1. *Issuer Name* Scolmore International Limited
2. *Issuer Address* 1 Scolmore Park, Landsberg,  
Lichfield Road Industrial Estate,  
Tamworth, Staffordshire, B79 7XB
3. *Object(s) of Declaration* Polar Range
- a. *Group* TV & Satellite Socket Outlets
- b. *Model No.* PRW065, PRW066, PRW156, PRW157, PRW158, PRW159, PRW170

4. *The object of the declaration described above is in conformity with the requirements of the following Legislations:*

Document No	Title
2006/95/EC	Low Voltage Directive

5. *All products contained within the aforementioned comply with the relevant standards and requirements listed below.*

BS 5733 : 1995 (where applicable)

6. *I hereby declare that the equipment named above has been designed to comply with the relevant sections of the above referenced specifications. The unit complies with all applicable Essential Requirements of the Directives.*

*In conjunction with the above all manufacture and process controls are in accordance with ISO 9001:2008*

Signed, for and on behalf of: Scolmore International Limited

A handwritten signature in black ink, appearing to read "Bettson".

Steven Bettson BSc - Senior Technical Support Engineer

**CE 13**