



## ***Power Socket Outlets***



The smooth modern lines of the Polar accessory plate will fit easily into traditional and contemporary designs alike.

All Polar 13A sockets are tested and approved to BS1363 offering assured quality and safety through our BSI Kitemark Licence KM1087.

## 13A UK Socket Outlets

### Product Range

#### 13A UK Socket Outlets

<b>PRW030</b>	13A 1 Gang Socket Outlet
<b>PRW030EX</b>	13A 1 Gang Socket Outlet "Not Outdoor Socket"
<b>PRW032</b>	13A 2 Gang Socket Outlet Twin Earth
<b>PRW035</b>	13A 1 Gang DP Switched Socket Outlet
<b>PRW036</b>	13A 2 Gang DP Switched Socket Outlet (Twin Earth)
<b>PRW037</b>	13A 2 Gang DP Switched Socket Outlet (Twin Earth, Clean Earth)
<b>PRW605</b>	13A 1 Gang Socket Outlet
<b>PRW606</b>	13A 2 Gang Socket Outlet
<b>PRW630</b>	13A 1 Gang Socket Outlet (Twin Earth)
<b>PRW635</b>	13A 1 Gang DP Switched Socket Outlet (Twin Earth Terminals)



PRW030, PRW630



PRW030EX



PRW035, PRW605, PRW635



PRW032



PRW036, PRW037, PRW606

Errors & Omissions excluded. Specification is subject to change without notice.

V1.0

Scolmore International Ltd, 1 Scolmore Park, Landsberg, Lichfield Road Ind. Estate, Tamworth, Staffordshire, B79 7XB

**Telephone:** 01827 63454

**E-mail:** sales@scolmore.com, technical@scolmore.com

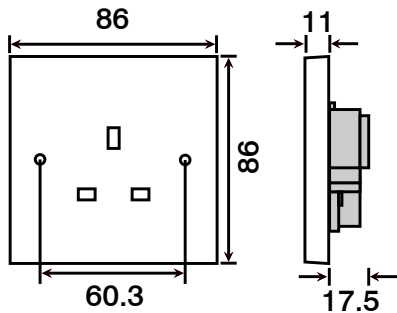
**Facsimile:** 01827 63362

**Website:** www.scolmore.com

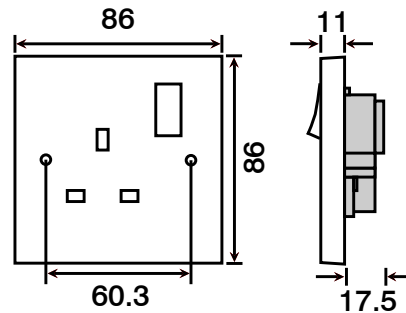
**13A UK Socket Outlets**

**Product Dimensional Drawings (mm)**

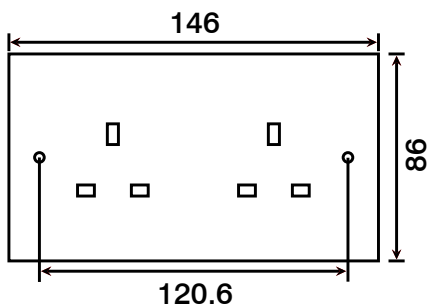
PRW030, 030EX, 630



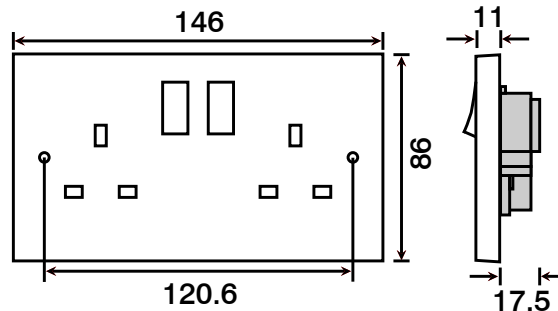
PRW035, 605, 635



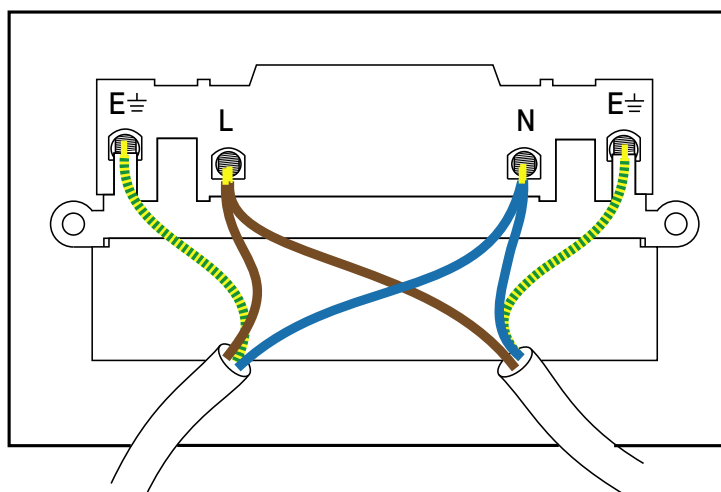
PRW032



PRW036, 037, 606



**Product Wiring Diagram**



Errors & Omissions excluded. Specification is subject to change without notice.

V1.0

Scolmore International Ltd, 1 Scolmore Park, Landsberg, Lichfield Road Ind. Estate, Tamworth, Staffordshire, B79 7XB

**Telephone:** 01827 63454

**E-mail:** sales@scolmore.com, technical@scolmore.com

**Facsimile:** 01827 63362

**Website:** www.scolmore.com

## 13A UK Socket Outlets

### Technical Specification

#### 13A UK Socket Outlets

<b>Material Composition</b>	Front Plate, Rocker Switch & Rear Housing: Urea Terminals: Brass, Terminal Screws: Steel & Yellow Passivated Internal Mechanism: Formed Press Brass Silver “on-lay” Copper / Brass Contacts
<b>Voltage</b>	240V~ 50Hz
<b>Current Rating</b>	13A
<b>Terminal Size</b>	5mm ø
<b>Torque Value</b>	2.5Nm
<b>Cable Size</b>	4 x 2.5mm <sup>2</sup>
<b>Back Box Depth</b>	25mm - 47mm
<b>Double Pole Switched</b>	(035, 036, 037, 635)
<b>Twin Earth</b>	(032, 036, 037, 630, 635)
<b>Clean Earth</b>	(037)
<b>Warranty</b>	20 Years
<b>Anti Microbial Certified</b>	Yes
<b>IP Rating</b>	IP20
<b>Operational Temperature</b>	-5° to +40°C
<b>Standards</b>	KM10807 Kitemark Licence BS 1363-2: 1995 + A4: 2012 Modified ISO 22196

### Additional Information

Ensure that the mains supply is isolated before commencing installation and refer to the circuit diagram with the relevant product.

Bare earth cables must always be covered with appropriate sleeving and wired to the earth terminal.

All white moulded accessories are manufactured using Urea Formaldehyde, which has similar inherent properties to antimicrobial additives that inhibit the growth of infectious diseases. All products were independently tested and achieved a 99.9% kill rate across all four types of the strains of bacteria - MRSA, E-Coli, Salmonella, and Klebsiella Pneumoniae.

Errors & Omissions excluded. Specification is subject to change without notice.

V1.0

Scolmore International Ltd, 1 Scolmore Park, Landsberg, Lichfield Road Ind. Estate, Tamworth, Staffordshire, B79 7XB

**Telephone:** 01827 63454

**E-mail:** sales@scolmore.com, technical@scolmore.com

**Facsimile:** 01827 63362

**Website:** www.scolmore.com



DECLARATION OF CONFORMITY

1. *Issuer Name* Scolmore International Limited
2. *Issuer Address* 1 Scolmore Park, Landsberg,  
Lichfield Road Industrial Estate,  
Tamworth, Staffordshire, B79 7XB
3. *Object(s) of Declaration* Polar Range
  - a. *Group* Socket Outlets
  - b. *Models No.* PRW030, PRW030EX, PRW032, PRW035, PRW036, PRW037, PRW605,  
PRW606, PRW630, PRW635

4. *The object of the declaration described above is in conformity with the requirements of the following Legislations:*

5. *All products contained within the aforementioned comply with the relevant standards and requirements listed below.*

BSI Kitemark Licence KM10807  
BS 1363-2: 1995 + A4: 2012

6. *I hereby declare that the equipment named above has been designed to comply with the relevant sections of the above referenced specifications. The unit complies with all applicable Essential Requirements of the Directives.*

*In conjunction with the above all manufacture and process controls are in accordance with ISO 9001:2008*

Signed, for and on behalf of: Scolmore International Limited

A handwritten signature in black ink, appearing to read "Bettson".

Steven Bettson BSc - Senior Technical Support Engineer

**CE 13**