



Moulded Pattress Boxes



The smooth modern lines of the Polar accessory plate will fit easily into traditional and contemporary designs alike.

Moulded Pattress Boxes

Product Range

Moulded Pattress Boxes

PRW080	1 Gang 16mm Deep Pattress Box With Earth Terminal
PRW081	1 Gang 25mm Deep Pattress Box
PRW082	2 Gang 25mm Deep Pattress Box
PRW083	1 Gang 35mm Deep Pattress Box
PRW084	2 Gang 35mm Deep Pattress Box
PRW085	1 Gang 47mm Deep Pattress Box With Earth Terminal
PRW086	2 Gang 47mm Deep Pattress Box With Cable Restraint & Earth Terminal



PRW080



PRW081



PRW083



PRW085



PRW082



PRW084



PRW086

Moulded Pattress Boxes

Product Range

Moulded Pattress Boxes - Dual Accessory & Converter

PRW089	Dual Accessory 29mm Deep Surface Pattress
PRW091	1 Gang to 2 Gang 16mm Deep Converter Pattress

Architrave Pattress Boxes

PRW175	1 Gang Architrave Pattress Box With Earth Terminal
PRW176	2 Gang Architrave Pattress Box With Earth Terminal

PVC Pattress Boxes

PRW230	1 Gang 29mm Deep PVC Pattress Box - Trunking
PRW235	2 Gang 29mm Deep PVC Pattress Box - Trunking
PRW240	1 Gang 29mm Deep PVC Pattress Box - Conduit
PRW245	2 Gang 29mm Deep PVC Pattress Box - Conduit



Errors & Omissions excluded. Specification is subject to change without notice.

V1.0

Scolmore International Ltd, 1 Scolmore Park, Landsberg, Lichfield Road Ind. Estate, Tamworth, Staffordshire, B79 7XB

Telephone: 01827 63454

E-mail: sales@scolmore.com, technical@scolmore.com

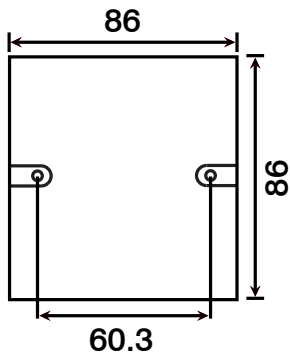
Facsimile: 01827 63362

Website: www.scolmore.com

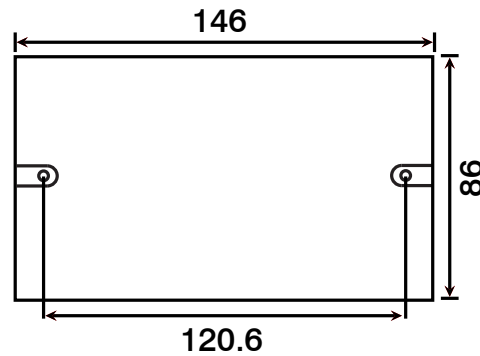
Moulded Pattress Boxes

Product Dimensional Drawings (mm)

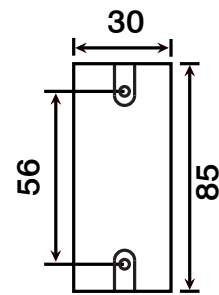
PRW080, 081, 083,
085, 230, 240



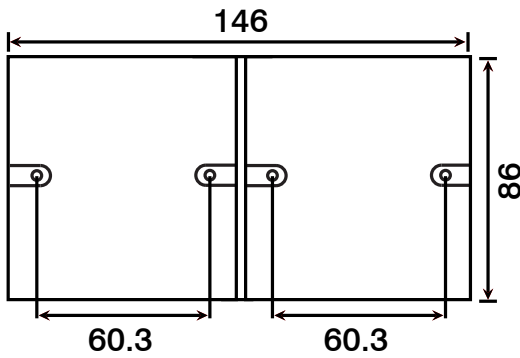
PRW082, 084, 086, 235, 245



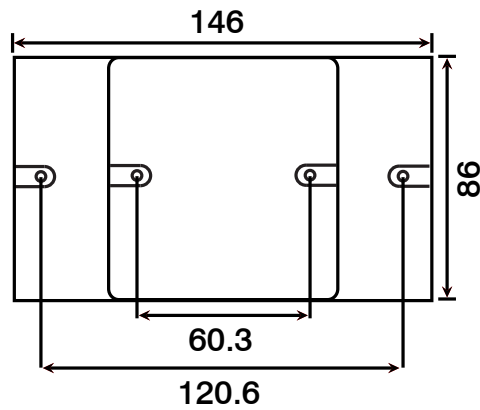
PRW175



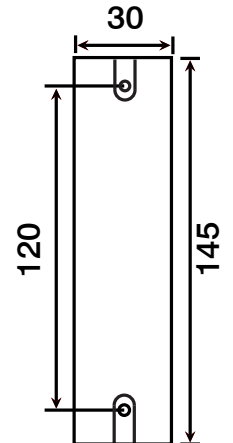
PRW089



PRW091



PRW176



Moulded Patress Boxes

Technical Specification

Moulded Patress Boxes

Material Composition	Patress Box: Urea
	Patress Box: PVC (PRW230, PRW235, PRW240 & PRW245)
	Earth Terminal: Brass
Back Box Depths	16mm - 47mm
Earth Terminal	(PRW080, PRW085, PRW086, PRW089 & PRW176)
Cable Restraint	(PRW086)
Warranty	20 Years
Anti Microbial Certified	Yes
IP Rating	IP20
Operational Temperature	-5° to +40°C
Standards	BS 5733 : 2010 + A1 : 2014 Modified ISO 22196

Additional Information

Ensure that the mains supply is isolated before commencing installation and refer to the circuit diagram with the relevant product.

Bare earth cables must always be covered with appropriate sleeving and wired to the earth terminal.

All white moulded accessories are manufactured using Urea Formaldehyde, which has similar inherent properties to antimicrobial additives that inhibit the growth of infectious diseases. All products were independently tested and achieved a 99.9% kill rate across all four types of the strains of bacteria - MRSA, E-Coli, Salmonella, and Klebsiella Pneumoniae.



DECLARATION OF CONFORMITY

1. *Issuer Name* Scolmore International Limited
2. *Issuer Address* 1 Scolmore Park, Landsberg,
Lichfield Road Industrial Estate,
Tamworth, Staffordshire, B79 7XB
3. *Object(s) of Declaration* Polar Range
- a. *Group* Moulded Pattress Boxes
- b. *Model No.* PRW080, PRW 081, PRW082, PRW083, PRW084, PRW085, PRW086,
PRW089, PRW091, PRW175, PRW176, PRW230, PRW235, PRW240,
PRW245

4. *The object of the declaration described above is in conformity with the requirements of the following Legislations:*
5. *All products contained within the aforementioned comply with the relevant standards and requirements listed below.*

BS 5733 : 2010 + A1 : 2014

6. *I hereby declare that the equipment named above has been designed to comply with the relevant sections of the above referenced specifications. The unit complies with all applicable Essential Requirements of the Directives.*

In conjunction with the above all manufacture and process controls are in accordance with ISO 9001:2008

Signed, for and on behalf of: Scolmore International Limited

A handwritten signature in black ink, appearing to read "Bettson".

Steven Bettson BSc - Senior Technical Support Engineer

CE 15