



MiniGrid Plate Switches (Modular)



The smooth modern lines of the Polar accessory plate will fit easily into traditional and contemporary designs alike.

Polar switches are developed largely as a modular range based on the large selection of switch modules available in the CLICK MINIGRID Module range. Simple, single screw fixing of modules offers the simplest possible means of installing and replacing modules.

MiniGrid Modular Switch Plates (Unfurnished)

Product Range

MiniGrid Modular Switch Plates (Unfurnished)

PRW401	1 Gang Plate Single Aperture
PRW402	1 Gang Plate Twin Aperture
PRW403	1 Gang Plate Triple Aperture
PRW404	2 Gang Plate (2+2) Aperture
PRW406	2 Gang Plate (3+3) Aperture
PRW426	2 Gang Plate 6 In-Line Aperture
PRW432	2 Gang Plate 3 In-Line Aperture



PRW401



PRW402



PRW403



PRW404



PRW406



PRW426



PRW432

Errors & Omissions excluded. Specification is subject to change without notice.

V1.0

Scolmore International Ltd, 1 Scolmore Park, Landsberg, Lichfield Road Ind. Estate, Tamworth, Staffordshire, B79 7XB

Telephone: 01827 63454

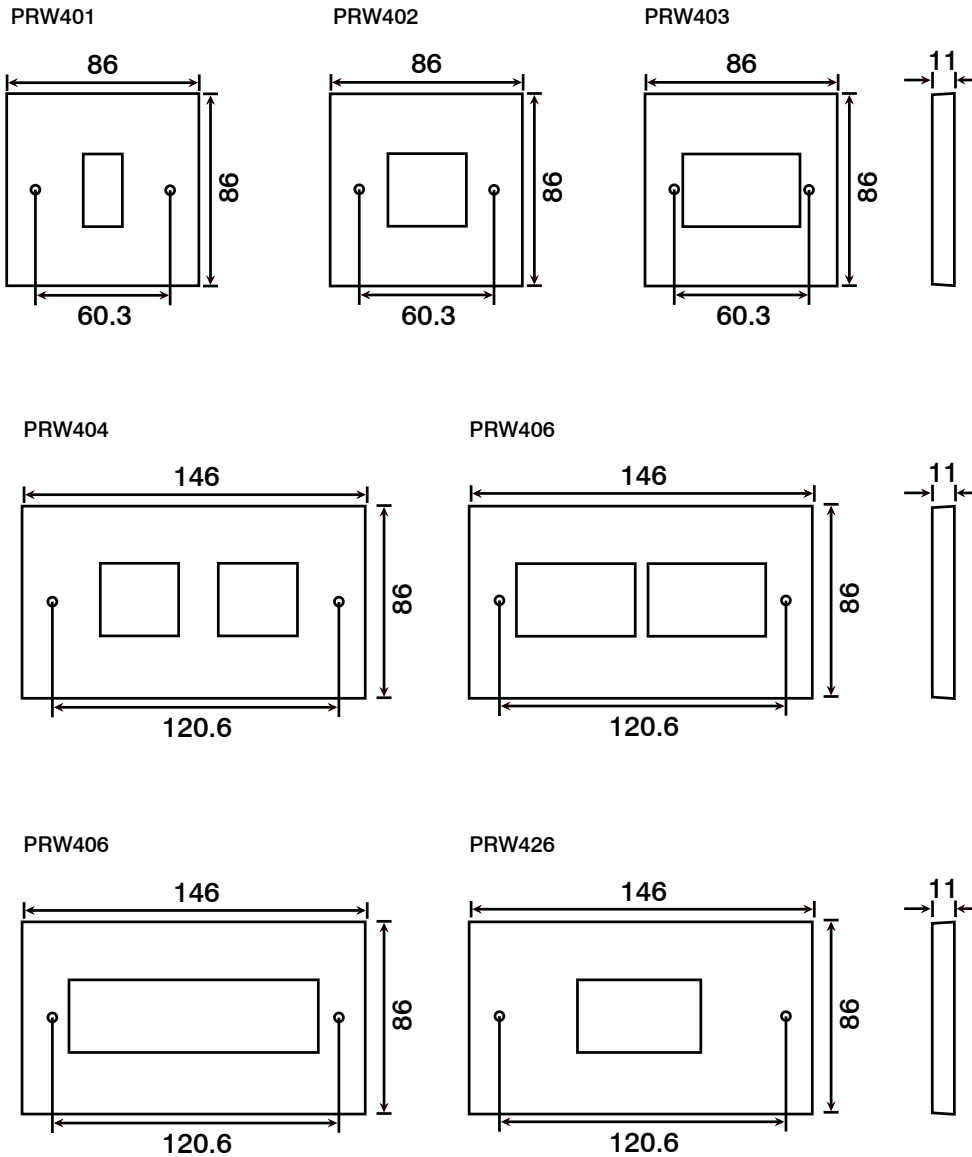
E-mail: sales@scolmore.com, technical@scolmore.com

Facsimile: 01827 63362

Website: www.scolmore.com

MiniGrid Modular Switch Plates (Unfurnished)

Product Dimensional Drawings (mm)

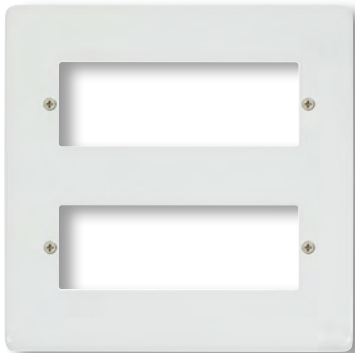


MiniGrid Modular Switch Plates (Unfurnished)

Product Range

MiniGrid Multi-Tier Modular Switch Plates (Unfurnished)

PRW512	12 MiniGrid Module Plate
PRW518	18 MiniGrid Module Plate
GR100PW	6 MiniGrid Module Yoke
WA512	2 Gang Double Row K/O Box 47mm Deep
WA518	2 Gang Triple Row K/O Box 47mm Deep



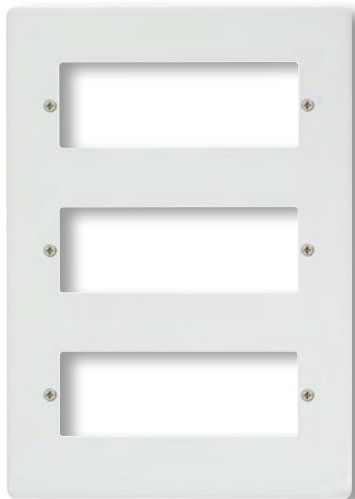
PRW512



GR100PW



WA512



PRW518

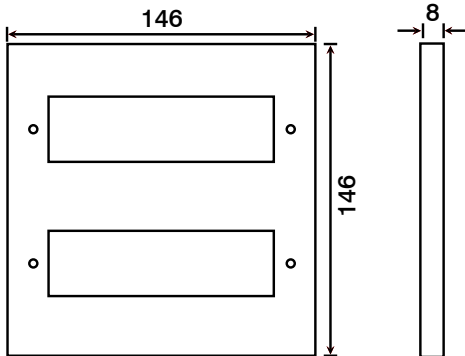


WA518

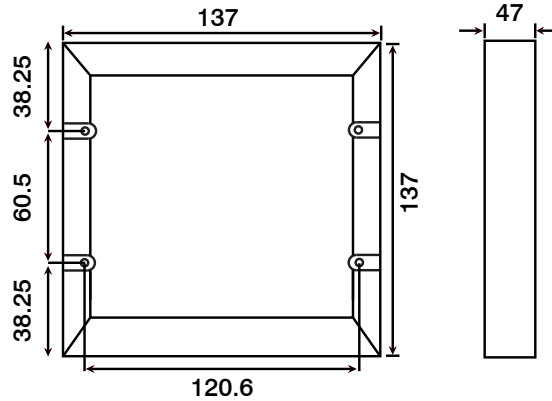
MiniGrid Modular Switch Plates (Unfurnished)

Product Dimensional Drawings (mm)

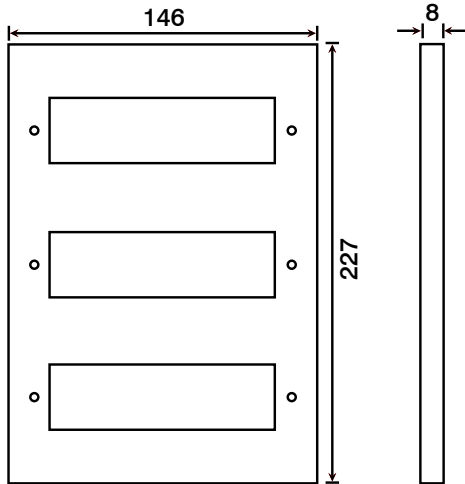
PRW512



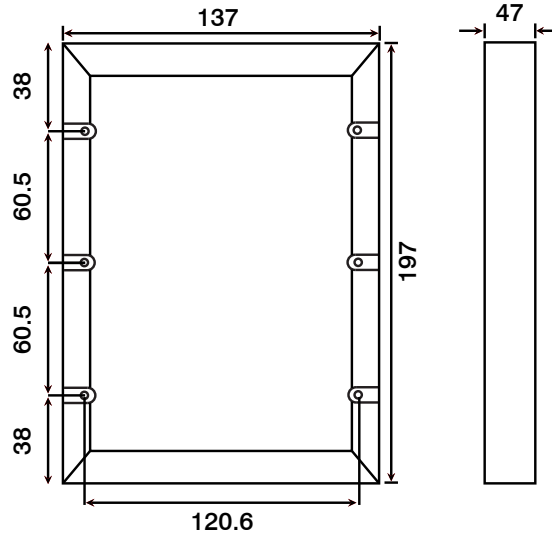
WA512



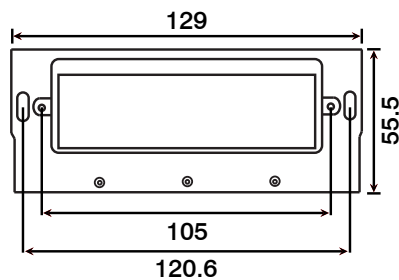
PRW518



WA518



GR100PW



MiniGrid Modular Switch Plates (Unfurnished)

Technical Specification

MiniGrid Multi-Tier Modular Switch Plates (Unfurnished)

Material Composition	Front Plate: Urea GR100 Mounting Yoke: Galvanised Steel Insert: Urea Back Boxes: Galvanised Steel
Cable Size	Dependent on modules fitted
Back Box Depth	Dependent on modules fitted
Modular	Yes
Warranty	20 Years
Anti Microbial Certified	Yes
IP Rating	IP20
Operational Temperature	-5° to +40°C
Standards	BS 5733 : 2010 + A1 : 2014 Modified ISO 22196

Additional Information

Ensure that the mains supply is isolated before commencing installation and refer to the circuit diagram with the relevant product.

Bare earth cables must always be covered with appropriate sleeving and wired to the earth terminal.

All white moulded accessories are manufactured using Urea Formaldehyde, which has similar inherent properties to antimicrobial additives that inhibit the growth of infectious diseases. All products were independently tested and achieved a 99.9% kill rate across all four types of the strains of bacteria - MRSA, E-Coli, Salmonella, and Klebsiella Pneumoniae.

PRW512 requires (2x) GR100 MiniGrid Module Yokes. These plates are designed to be used with specified backbox WA512.

PRW518 requires (3x) GR100 MiniGrid Module Yokes. These plates are designed to be used with specified backbox WA518.

Interchangeable with modules in the MINIGRID system





DECLARATION OF CONFORMITY

1. *Issuer Name* Scolmore International Limited
2. *Issuer Address* 1 Scolmore Park, Landsberg,
Lichfield Road Industrial Estate,
Tamworth, Staffordshire, B79 7XB
3. *Object(s) of Declaration* Polar Range
 - a. *Group* Modular Switch Plates (Unfurnished)
 - b. *Model No.* PRW401, PRW402, PRW403, PRW404, PRW406, PRW426, PRW432
PRW512, PRW518
4. *The object of the declaration described above is in conformity with the requirements of the following Legislations:*
5. *All products contained within the aforementioned comply with the relevant standards and requirements listed below.*

BS 5733 : 2010 + A1 : 2014

6. *I hereby declare that the equipment named above has been designed to comply with the relevant sections of the above referenced specifications. The unit complies with all applicable Essential Requirements of the Directives.*

In conjunction with the above all manufacture and process controls are in accordance with ISO 9001:2008

Signed, for and on behalf of: Scolmore International Limited

A handwritten signature in black ink, appearing to read "Bettson".

Steven Bettson BSc - Senior Technical Support Engineer

CE 15