



## ***Fused Connection Units***



The smooth modern lines of the Polar accessory plate will fit easily into traditional and contemporary designs alike.

Polar Fused Connection Units provide large twin earth terminals as standard, which greatly facilitates wiring and installation.

All Polar 13A Fused Connection Units are tested and approved to BS1363 offering assured quality and safety.

**Fused Connection Units**

**Product Range**

**Fused Connection Units With Optional Flex Outlet (Through Bottom)**

<b>PRW049</b>	3A Fused Connection Unit
<b>PRW050</b>	13A Fused Connection Unit
<b>PRW051</b>	13A DP Switched Fused Connection Unit
<b>PRW052</b>	13A DP Switched Fused Connection Unit with Neon
<b>PRW053</b>	13A Fused Connection Unit with Neon



PRW049



PRW050



PRW051



PRW052

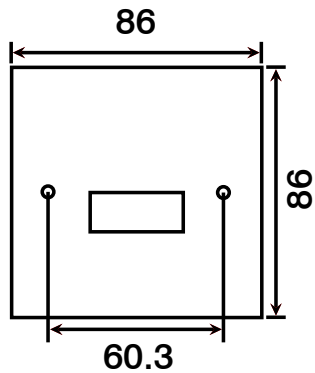


PRW053

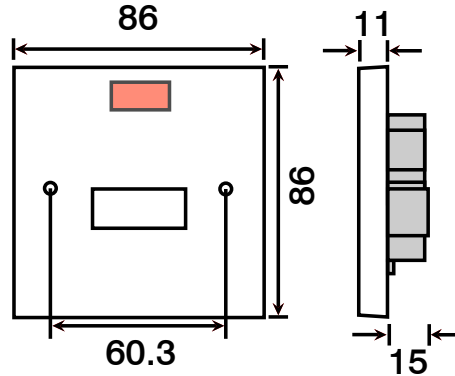
**Fused Connection Units**

**Product Dimensional Drawings (mm)**

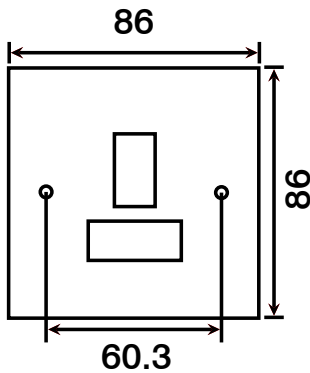
PRW049, 050



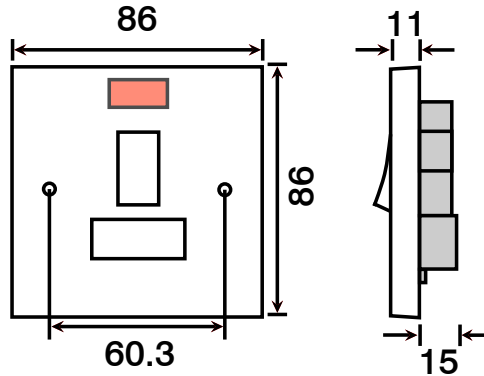
PRW053



PRW051

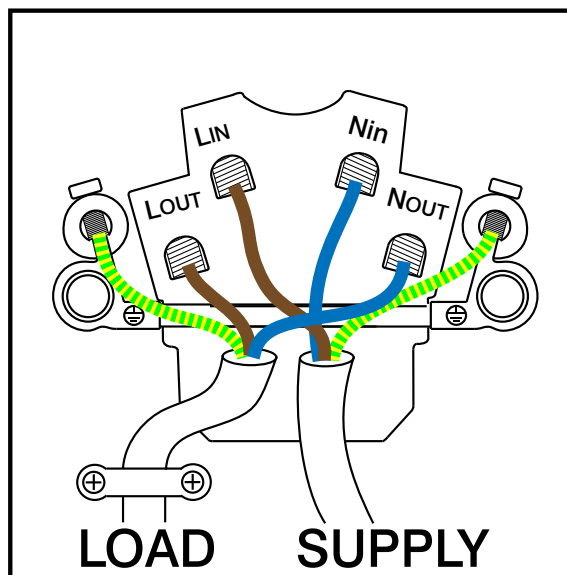
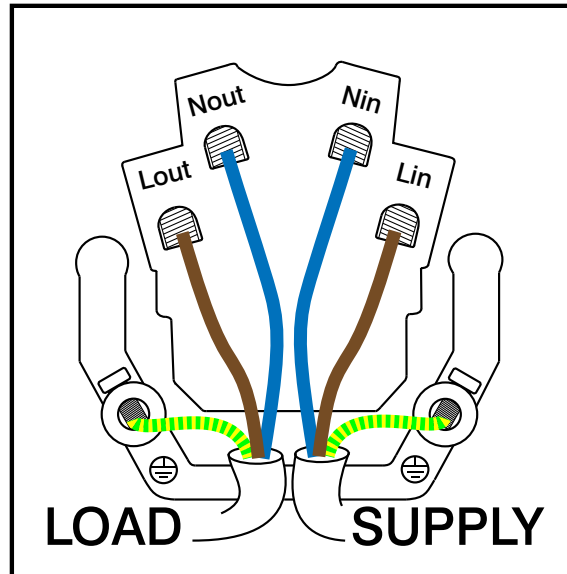


PRW052



**Fused Connection Units**

**Wiring Diagrams**



## Fused Connection Units

### Technical Specification

#### Fused Connection Units

<b>Material Composition</b>	Front Plate, Rocker Switch & Rear Housing: Urea Terminals: Brass Terminal Screws: Steel & Yellow Passivated Internal Mechanism: Formed Press Brass Silver “on-lay” Copper / Brass Contacts
<b>Voltage</b>	240V~ 50Hz
<b>Current Rating</b>	13A (3A where applicable)
<b>Terminal Size</b>	5mm ø
<b>Torque Value</b>	2.5Nm
<b>Cable Size</b>	3 x 2.5mm <sup>2</sup> or 2 x 4.0mm <sup>2</sup>
<b>Double Pole</b>	(051, 052)
<b>Twin Earth</b>	Yes
<b>Back Box Depth</b>	25mm - 47mm
<b>Warranty</b>	20 Years
<b>Anti Microbial Certified</b>	Yes
<b>IP Rating</b>	IP20
<b>Operational Temperature</b>	-5° to +40°C
<b>Standards</b>	The Low Voltage Directive 2006/95/EC, Modified ISO 22196 BS 1363-4:1995+A4:2012 (KM10807 Kitemark Licence) Fuses to BS 1362:1973

#### Additional Information

Ensure that the mains supply is isolated before commencing installation and refer to the circuit diagram with the relevant product.

Bare earth cables must always be covered with appropriate sleeving and wired to the earth terminal.

All white moulded accessories are manufactured using Urea Formaldehyde, which has similar inherent properties to antimicrobial additives that inhibit the growth of infectious diseases. All products were independently tested and achieved a 99.9% kill rate across all four types of the strains of bacteria - MRSA, E-Coli, Salmonella, and Klebsiella Pneumoniae.



DECLARATION OF CONFORMITY

1. *Issuer Name* Scolmore International Limited
2. *Issuer Address* 1 Scolmore Park, Landsberg,  
Lichfield Road Industrial Estate,  
Tamworth, Staffordshire, B79 7XB
3. *Object(s) of Declaration* Polar Range
  - a. *Group* Fused Connection Units
  - b. *Model No.* PRW049, PRW050, PRW051, PRW052, PRW053
4. *The object of the declaration described above is in conformity with the requirements of the following Legislations:*

Document No	Title
2006/95/EC	Low Voltage Directive

5. *All products contained within the aforementioned comply with the relevant standards and requirements listed below.*

KM10807 Kitemark Licence  
BS 1363-4 : 1995 + A4 : 2012  
BS 1362 : 1973 (Fuse)

6. *I hereby declare that the equipment named above has been designed to comply with the relevant sections of the above referenced specifications. The unit complies with all applicable Essential Requirements of the Directives.*

*In conjunction with the above all manufacture and process controls are in accordance with ISO 9001:2008*

Signed, for and on behalf of: Scolmore International Limited

A handwritten signature in black ink, appearing to read "Bettson".

Steven Bettson BSc - Senior Technical Support Engineer

**CE 13**