



3 Pole & Fan Isolation Switch



The smooth modern lines of the Polar accessory plate will fit easily into traditional and contemporary designs alike.

The Polar Fan Isolation Switches, offer a safe and effective method of isolating fan units for work to be carried out in areas where there is little or no natural light. For example, lighting circuits may need to remain live whilst maintenance work is carried out in safety.

10A 3 Pole & Fan Isolation Switch

Product Range

3 Pole & Fan Isolation Switch

PRW020	10A 3 Pole Fan Isolation Switch
PRW021	10A 1 Gang 3 Pole Switch

3A Control Switch Plate

PRW290	3A FCU Module & DP Switch (Linked)
PRW291	3A FCU Module, DP Switch & DP Fan Switch (Linked)



PRW020



PRW021



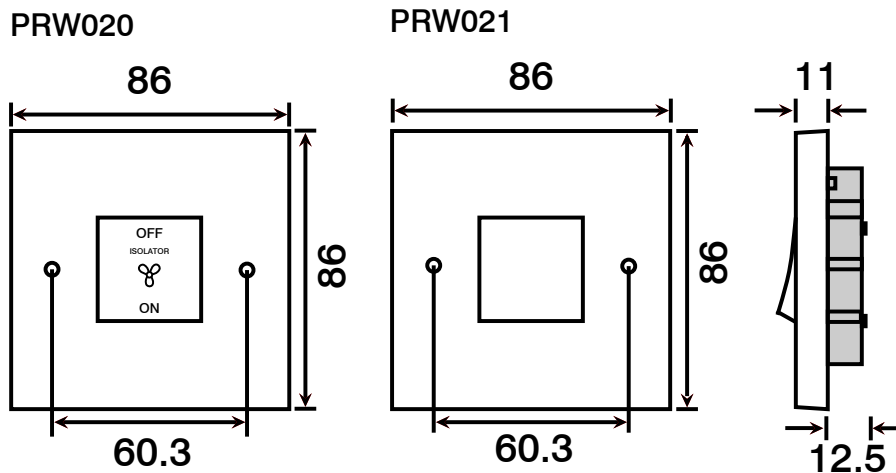
PRW290



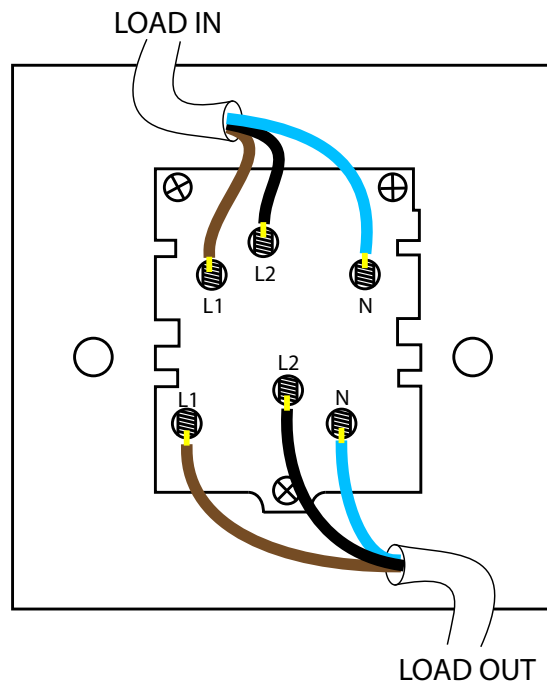
PRW291

10A 3 Pole & Fan Isolation Switch

Product Dimensional Drawings (mm)



Product Wiring Diagram



10A 3 Pole & Fan Isolation Switch

Technical Specification

10A 3 Pole & Fan Isolation Switch

Material Composition	Front Plate & Rocker Switch: Urea
	Rear Housing: Nylon
	Terminals: Brass, Terminal Screws: Steel & Yellow Passivated
	Internal Mechanism: Formed Press Brass Silver "on-lay" Copper / Brass Contacts
Voltage	240V~ 50Hz
Current Rating	10A
Terminal Size	3.5mm \varnothing
Torque Value	0.4Nm
Cable Size	1 x 2.5mm ² , 2 x 1.5mm ²
Back Box Depth	25mm - 47mm
Warranty	20 Years
Anti Microbial Certified	Yes
IP Rating	IP20
Operational Temperature	-5° to +40°C
Standards	The Low Voltage Directive 2006/95/EC, Modified ISO 22196 EN 60669-2-4:2005, EN 60669-1:1999+A1:2002+A2:2008 Fuses to BS 1362:1973

Additional Information

Ensure that the mains supply is isolated before commencing installation and refer to the circuit diagram with the relevant product.

Bare earth cables must always be covered with appropriate sleeving and wired to the earth terminal.

All white moulded accessories are manufactured using Urea Formaldehyde, which has similar inherent properties to antimicrobial additives that inhibit the growth of infectious diseases. All products were independently tested and achieved a 99.9% kill rate across all four types of the strains of bacteria - MRSA, E-Coli, Salmonella, and Klebsiella Pneumoniae.

PRW020 and PRW021 are not interchangeable with the MiniGrid System however, a Fused Fan Isolation Switch can be created using components from the MiniGrid System





DECLARATION OF CONFORMITY

1. *Issuer Name* Scolmore International Limited
2. *Issuer Address* 1 Scolmore Park, Landsberg,
Lichfield Road Industrial Estate,
Tamworth, Staffordshire, B79 7XB
3. *Object(s) of Declaration* Polar Range
a. *Group* Fan Isolation & 3 Pole Switches
b. *Model No.* PRW020, PRW021, PRW290, PRW291
4. *The object of the declaration described above is in conformity with the requirements of the following Legislations:*
- | Document No | Title |
|-------------|-----------------------|
| 2006/95/EC | Low Voltage Directive |

5. *All products contained within the aforementioned comply with the relevant standards and requirements listed below.*

EN 60669-1:1999 + A1:2002 + A2:2008
EN 60669-2-4 : 2005
BS 1362 : 1973 (Fuse)

6. *I hereby declare that the equipment named above has been designed to comply with the relevant sections of the above referenced specifications. The unit complies with all applicable Essential Requirements of the Directives.*

In conjunction with the above all manufacture and process controls are in accordance with ISO 9001:2008

Signed, for and on behalf of: Scolmore International Limited

A handwritten signature in black ink, appearing to read "Bettson".

Steven Bettson BSc - Senior Technical Support Engineer

CE 13