



Dual Voltage Shaver Socket



The smooth modern lines of the Polar accessory plate will fit easily into traditional and contemporary designs alike.

Polar Dual Voltage Shaver Sockets are designed to fit effortlessly with the range, with simple installation to enhance the décor of any area.

Dual Voltage Shaver Socket

Product Range

Dual Voltage Shaver Socket (230V/115V)

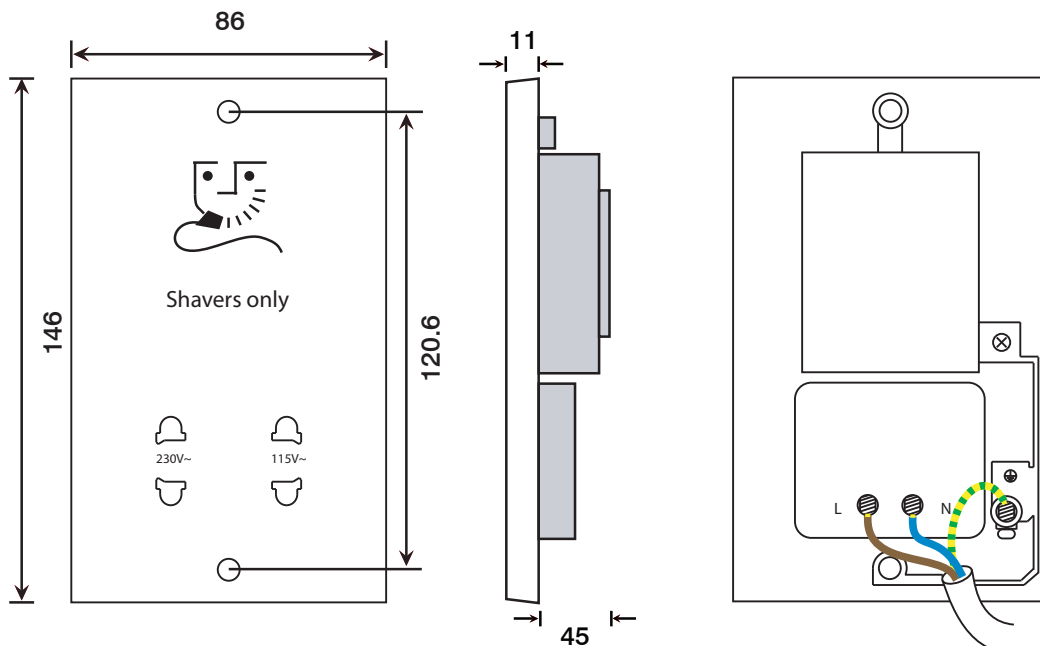
PRW100

Dual Voltage Shaver Socket



PRW100

Product Wiring and Dimensional Drawings (mm)



Errors & Omissions excluded. Specification is subject to change without notice.

V1.0

Scolmore International Ltd, 1 Scolmore Park, Landsberg, Lichfield Road Ind. Estate, Tamworth, Staffordshire, B79 7XB

Telephone: 01827 63454

E-mail: sales@scolmore.com, technical@scolmore.com

Facsimile: 01827 63362

Website: www.scolmore.com

Dual Voltage Shaver Socket

Technical Specification

Dual Voltage Shaver Socket Outlet (230V/115V)

Material Composition	Front Plate: Urea Rear Housing: Urea & Nylon Terminals: Brass, Terminal Screws: Steel & Yellow Passivated Earth Strap: Mild Steel, Silver “on-lay” Copper / Brass Contacts
Voltage	240V~ 50Hz
Current Rating	20VA at 230V or 115V
Terminal Size	3.5mm ø
Torque Value	0.4Nm
Cable Size	2 x 1.5mm ² or 1 x 2.5mm ²
Back Box Depth	47mm
Twin Earth	No
Warranty	20 Years
Anti Microbial Certified	Yes
IP Rating	IP21
Features	Safety Interlock Shutter
Operational Temperature	-5° to +40°C
Standards	The Low Voltage Directive 2006/95/EC, Modified ISO 22196 BS EN 61558-1:1997 + A1:1998 + A11:2003, IEC 60884-1 BS 546 (Socket Outlet Part)

Additional Information

This outlet is not continuously rated and therefore not suitable for use as a permanent charging outlet. Ensure that the mains supply is isolated before commencing installation and refer to the circuit diagram with the relevant product.

Bare earth cables must always be covered with appropriate sleeving and wired to the earth terminal.

All white moulded accessories are manufactured using Urea Formaldehyde, which has similar inherent properties to antimicrobial additives that inhibit the growth of infectious diseases. All products were independently tested and achieved a 99.9% kill rate across all four types of the strains of bacteria - MRSA, E-Coli, Salmonella, and Klebsiella Pneumoniae.



DECLARATION OF CONFORMITY

1. *Issuer Name* Scolmore International Limited
2. *Issuer Address* 1 Scolmore Park, Landsberg,
Lichfield Road Industrial Estate,
Tamworth, Staffordshire, B79 7XB
3. *Object(s) of Declaration* Polar Range
 - a. *Group* Dual Voltage Shaver Socket Outlet
 - b. *Model No.* PRW100
4. *The object of the declaration described above is in conformity with the requirements of the following Legislations:*

Document No	Title
2006/95/EC	Low Voltage Directive

5. *All products contained within the aforementioned comply with the relevant standards and requirements listed below.*

BS EN 61558-1:1997 + A1:1998 + A11:2003
IEC 60884-1
BS 546 (Socket Outlet)

6. *I hereby declare that the equipment named above has been designed to comply with the relevant sections of the above referenced specifications. The unit complies with all applicable Essential Requirements of the Directives.*

In conjunction with the above all manufacture and process controls are in accordance with ISO 9001:2008

Signed, for and on behalf of: Scolmore International Limited

A handwritten signature in black ink, appearing to read "Bettson".

Steven Bettson BSc - Senior Technical Support Engineer

CE 10