



## **20A Control Switches**



The smooth modern lines of the Polar accessory plate will fit easily into traditional and contemporary designs alike.

Polar 20A Control Switches are designed to fit effortlessly with the range, with simple installation to enhance the décor of any area.

## 20A Control Switches

### Product Range

#### 20A Control Switches With Optional Flex Outlet (Through Bottom)

<b>PRW022</b>	20A Double Pole Switch
<b>PRW023</b>	20A Double Pole Switch with Neon
<b>PRW040</b>	20A Double Pole Switch 'Water Heater'
<b>PRW042</b>	20A Double Pole Switch with Neon 'Water Heater'

#### 20A Sink Bath Switch

<b>PRW024</b>	20A Double Pole Sink Bath Switch with Neon
---------------	--



PRW022



PRW023



PRW024



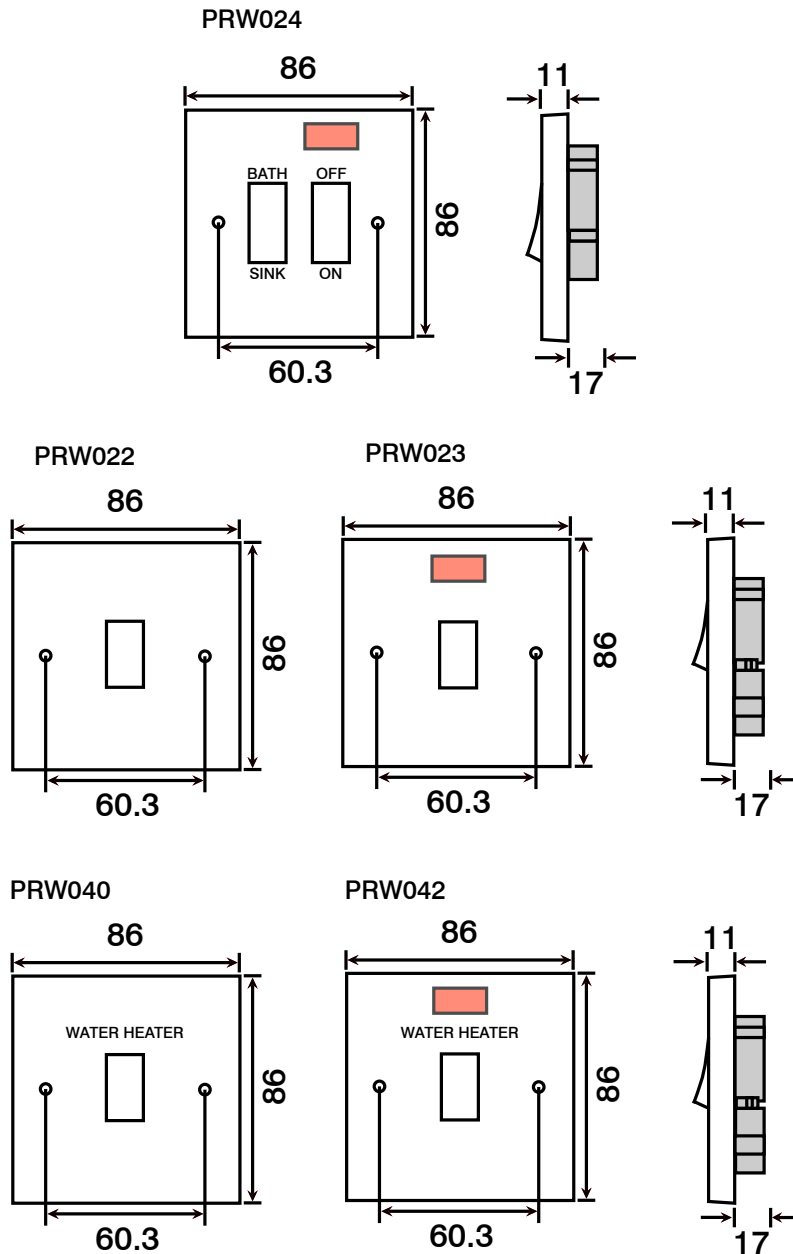
PRW040



PRW042

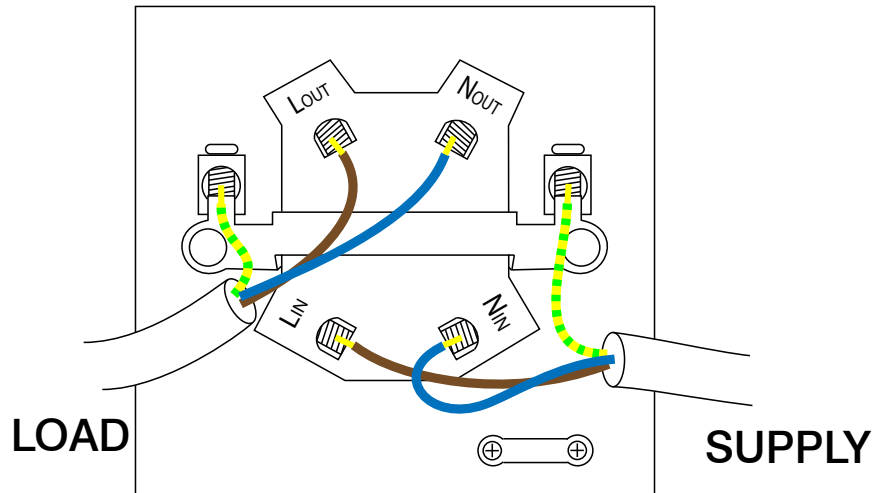
**20A Control Switches**

**Product Dimensional Drawings (mm)**

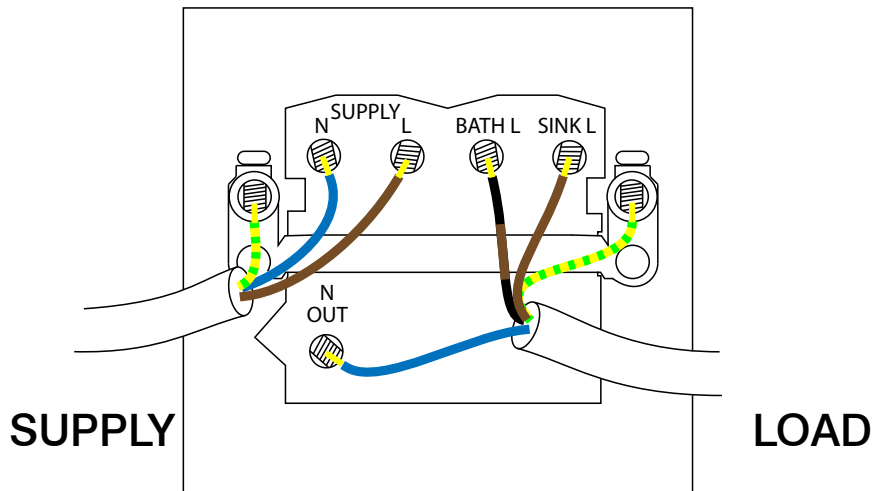


**20A Control Switches**

**Wiring Diagrams**



**20A Control Switch**



**20A Sink Bath Switch**

## 20A Control Switches

### Technical Specification

#### 20A Control Switches

<b>Material Composition</b>	Front Plate & Rocker Switch: Urea Rear Housing: Nylon & Urea Terminals: Brass, Terminal Screws: Steel & Yellow Passivated Internal Mechanism: Formed Press Brass Silver "on-lay" Copper / Brass Contacts
<b>Voltage</b>	240V~ 50Hz
<b>Current Rating</b>	20A
<b>Terminal Size</b>	5mm ø
<b>Torque Value</b>	1.8Nm
<b>Cable Size</b>	4 x 2.5mm <sup>2</sup>
<b>Double Pole</b>	Yes
<b>Twin Earth</b>	Yes
<b>Back Box Depth</b>	25mm - 47mm
<b>Warranty</b>	20 Years
<b>Anti Microbial Certified</b>	Yes
<b>IP Rating</b>	IP20
<b>Operational Temperature</b>	-5° to +40°C
<b>Standards</b>	The Low Voltage Directive 2006/95/EC BS EN 60669-1:1999 + A1:2002 + A2:2008 Modified ISO 22196

#### Additional Information

Ensure that the mains supply is isolated before commencing installation and refer to the circuit diagram with the relevant product.

Bare earth cables must always be covered with appropriate sleeving and wired to the earth terminal.

All white moulded accessories are manufactured using Urea Formaldehyde, which has similar inherent properties to antimicrobial additives that inhibit the growth of infectious diseases. All products were independently tested and achieved a 99.9% kill rate across all four types of the strains of bacteria - MRSA, E-Coli, Salmonella, and Klebsiella Pneumoniae.



DECLARATION OF CONFORMITY

1. *Issuer Name* Scolmore International Limited
2. *Issuer Address* 1 Scolmore Park, Landsberg,  
Lichfield Road Industrial Estate,  
Tamworth, Staffordshire, B79 7XB
3. *Object(s) of Declaration* Polar Range
- a. *Group* 20A Control Switches
- b. *Model No.* PRW022, PRW023, PRW024, PRW040, PRW042
4. *The object of the declaration described above is in conformity with the requirements of the following Legislations:*
- | Document No | Title                 |
|-------------|-----------------------|
| 2006/95/EC  | Low Voltage Directive |

5. *All products contained within the aforementioned comply with the relevant standards and requirements listed below.*

EN 60669-1:1999 + A1:2002 + A2:2008

6. *I hereby declare that the equipment named above has been designed to comply with the relevant sections of the above referenced specifications. The unit complies with all applicable Essential Requirements of the Directives.*

*In conjunction with the above all manufacture and process controls are in accordance with ISO 9001:2008*

Signed, for and on behalf of: Scolmore International Limited

A handwritten signature in black ink, appearing to read "Bettson".

Steven Bettson BSc - Senior Technical Support Engineer

**CE 13**