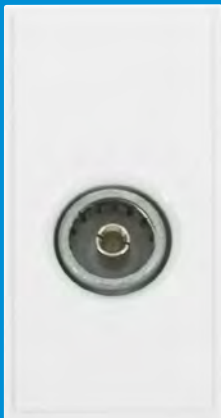


New Media TV & Satellite Modules



New Media TV & Satellite Modules



The New Media Modules offer a flexible build solution to a host of individual power socket outlet requirements. The clip fit grid modules are simple to install in their blank mounting plates.

New Media TV & Satellite Modules

Product Range

New Media TV & Satellite Modules

MM405**	Single Satellite (Shielded) Module
MM406**	Double Satellite Module
MM410**	Single Female IEC (TV) (Shielded) Module
MM415**	Single Male IEC (FM) (Shielded) Module



MM405WH



MM406BK



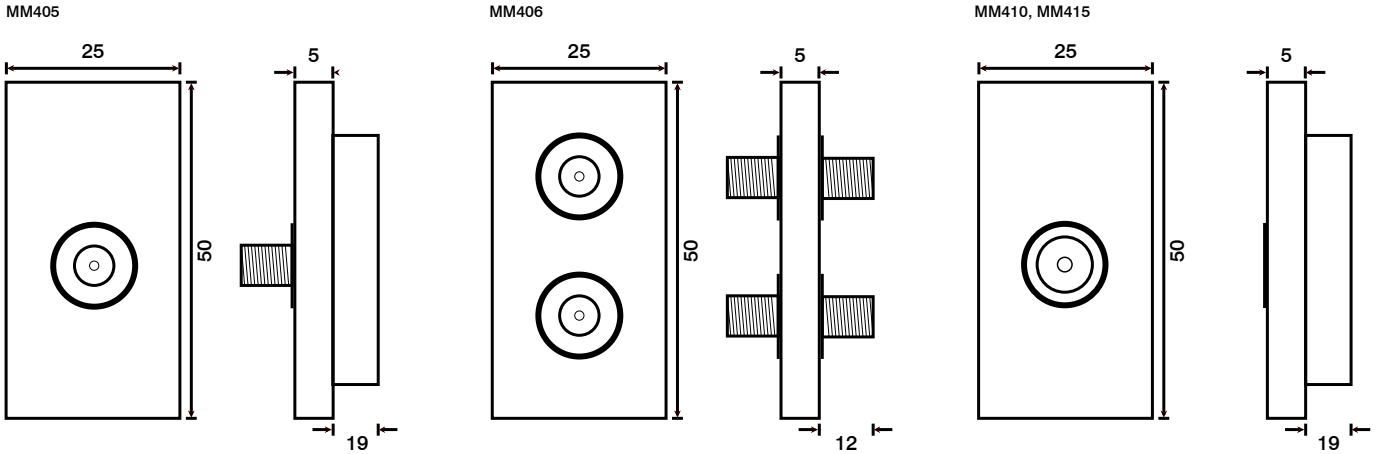
MM410WH



MM415BK

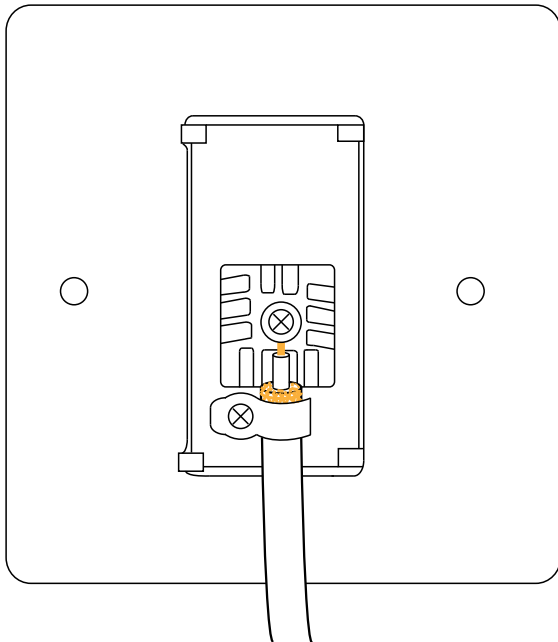
New Media TV & Satellite Modules

Product Dimensional Drawings (mm)

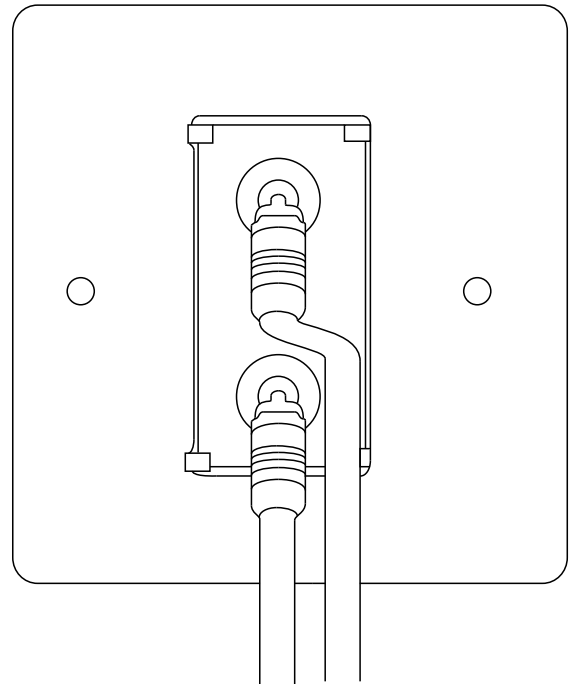


Wiring Diagram

MM405, MM410, MM415



MM406



New Media TV & Satellite Modules

Technical Specification

New Media TV & Satellite Modules

Material Composition	Module: Polycarbonate
Connection Type	Screw Terminal with Shielded Cage
Back Box Depth	25mm - 47mm (Dependant on Mounting Plate Used)
Module Size	Single Width (25mm x 50mm)
Modular	Yes
Warranty	1 Year
IP Rating	IP20
Operational Temperature	-5° to +40°C
Standards	BS 3041-7:1996 BS 5733:1995 (where applicable)

Additional Information

Standard Euro Module Size.

All Modules are Non-Isolated: Direct connection to aerial where two way signal is required i.e. Receiver/Decoders.

Ensure that the mains supply is isolated before commencing installation and refer to the circuit diagram with the relevant product.

Bare earth cables must always be covered with appropriate sleeving and wired to the earth terminal.



DECLARATION OF CONFORMITY

1. *Issuer Name* Scolmore International Limited
2. *Issuer Address* 1 Scolmore Park, Landsberg,
Lichfield Road Industrial Estate,
Tamworth, Staffordshire, B79 7XB
3. *Object(s) of Declaration* New Media Range
 - a. *Group* TV & Satellite Modules
 - b. *Model No.* MM405, MM406, MM410, MM415
4. *The object of the declaration described above is in conformity with the requirements of the following Legislations:*
5. *All products contained within the aforementioned comply with the relevant standards and requirements listed below.*

BS 3041-7 : 1996

BS 5733 : 1995 (where applicable)

6. *I hereby declare that the equipment named above has been designed to comply with the relevant sections of the above referenced specifications. The unit complies with all applicable Essential Requirements of the Directives.*

In conjunction with the above all manufacture and process controls are in accordance with ISO 9001:2008

Signed, for and on behalf of: Scolmore International Limited

Steven Bettson BSc - Senior Technical Support Engineer

CE 15