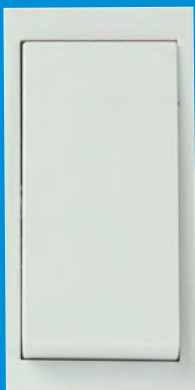


20A Double Pole Switch Modules



20A Double Pole Switch Modules



The New Media Modules offer a flexible build solution to a host of individual power socket outlet requirements. The clip fit grid modules are simple to install in their blank mounting plates.

20A Double Pole Switch Modules

Product Range

20A Double Pole Switch Modules

MM022**

20A Double Pole Switch Module

MM023**

20A Double Pole Switch Module With Neon



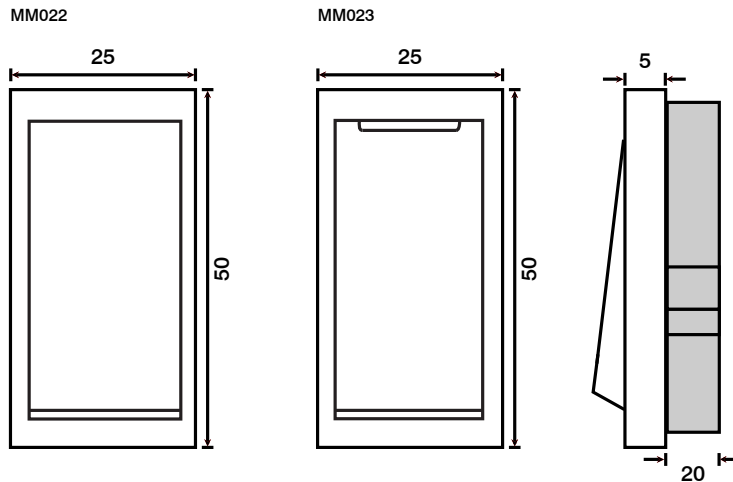
MM022WH



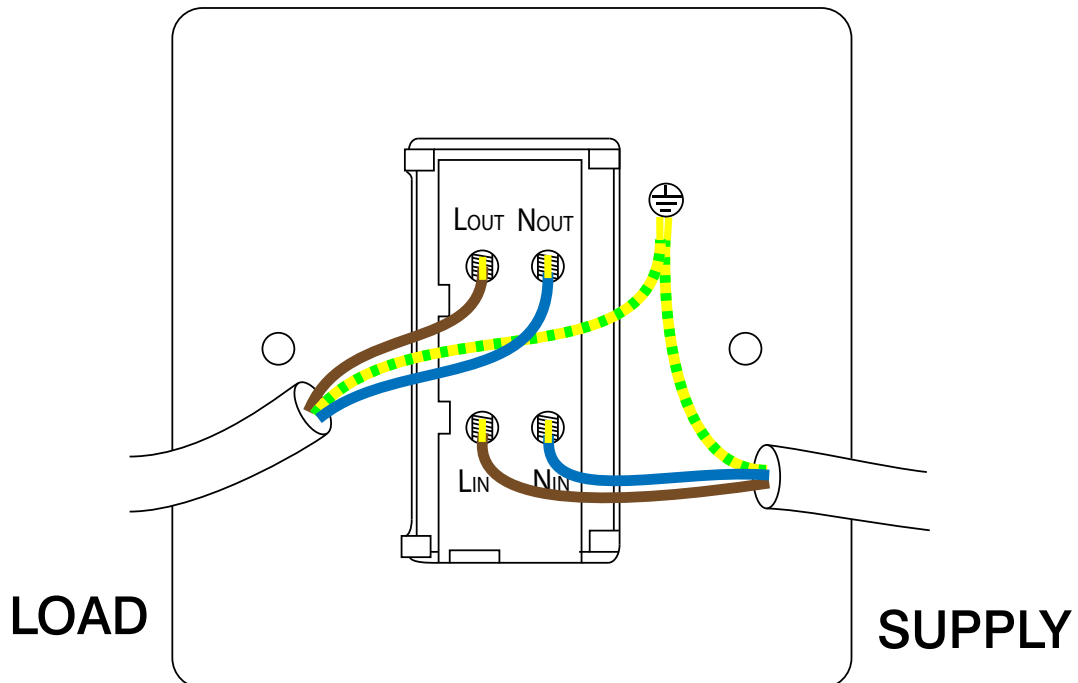
MM023BK

20A Double Pole Switch Modules

Product Dimensional Drawings (mm)



Wiring Diagram



20A Double Pole Switch Modules

Technical Specification

20A Double Pole Switch Modules

Material Composition	Module: Polycarbonate Rear Housing: Nylon Terminal: Brass Terminal Screws: Steel & Yellow Passivated
Voltage	240V~ 50Hz
Current Rating	20A
Terminal Size	5mm ø
Torque Value	1.2 Nm
Cable Size	1 x 6mm ² or 3 x 2.5mm ²
Back Box Depth	25mm - 47mm (Dependant on Mounting Plate Used)
Module Size	Single Width (25mm x 50mm)
Modular	Yes
Warranty	1 Year
IP Rating	IP20
Operational Temperature	-5° to +40°C
Standards	BS EN 60669-1:1999 + A1:2002 + A2:2008

Additional Information

Standard Euro Module Size.

Ensure that the mains supply is isolated before commencing installation and refer to the circuit diagram with the relevant product.

Bare earth cables must always be covered with appropriate sleeving and wired to the earth terminal.



DECLARATION OF CONFORMITY

1. *Issuer Name* Scolmore International Limited
2. *Issuer Address* 1 Scolmore Park, Landsberg,
Lichfield Road Industrial Estate,
Tamworth, Staffordshire, B79 7XB
3. *Object(s) of Declaration* New Media Range
 - a. *Group* 20A Double Pole Switch Modules
 - b. *Model No.* MM022, MM023
4. *The object of the declaration described above is in conformity with the requirements of the following Legislations:*
5. *All products contained within the aforementioned comply with the relevant standards and requirements listed below.*

EN 60669-1:1999 + A1:2002 + A2:2008

6. *I hereby declare that the equipment named above has been designed to comply with the relevant sections of the above referenced specifications. The unit complies with all applicable Essential Requirements of the Directives.*

In conjunction with the above all manufacture and process controls are in accordance with ISO 9001:2008

Signed, for and on behalf of: Scolmore International Limited

Steven Bettson BSc - Senior Technical Support Engineer

CE 15