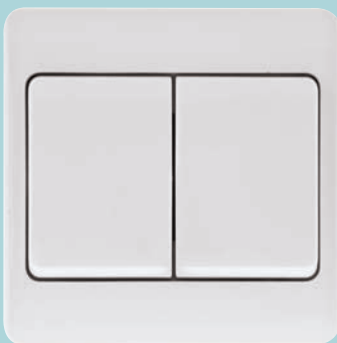




Wide Rocker Switches



The smooth modern lines of the MODE accessory plate will fit easily into traditional and contemporary designs alike.

MODE Wide Rocker Switches are the ideal choice for assisted living installations and to aid with Part M compliance.

10AX Wide Rocker Switches

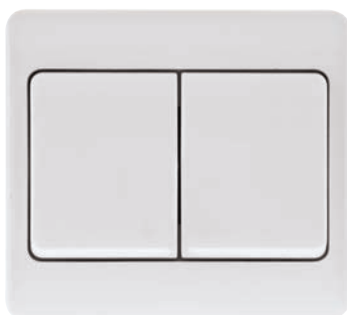
Product Range

10AX Wide Rocker Switches

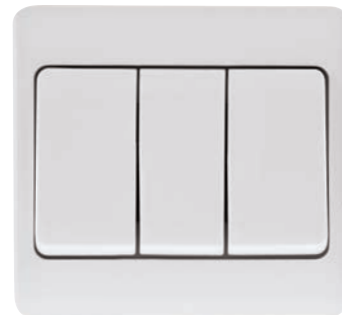
CMA811	10AX 1 Gang 2 Way Wide Rocker Plate Switch
CMA812	10AX 2 Gang 2 Way Wide Rocker Plate Switch
CMA813	10AX 3 Gang 2 Way Wide Rocker Plate Switch



CMA811



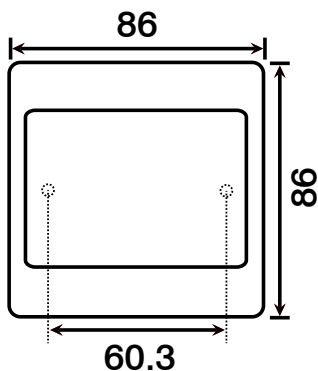
CMA812



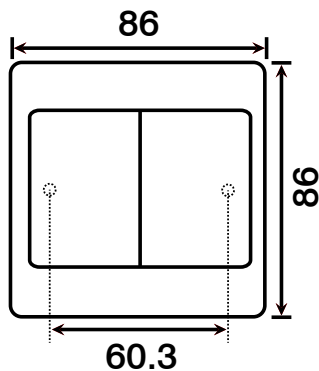
CMA813

Product Dimensional Drawings (mm)

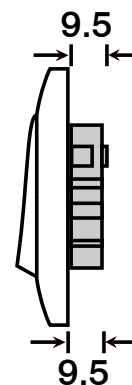
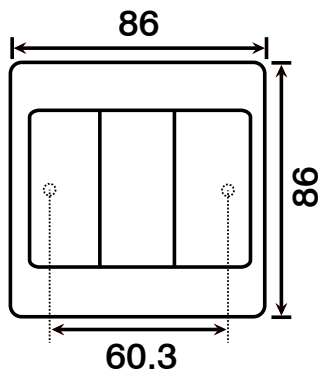
CMA811



CMA812



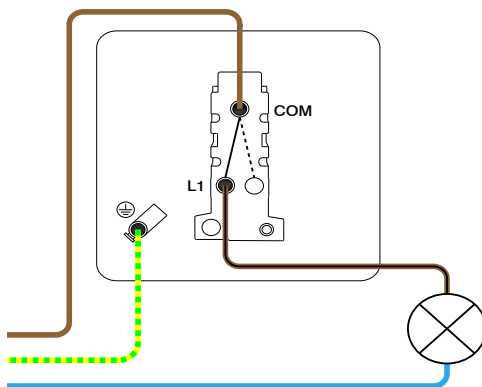
CMA813



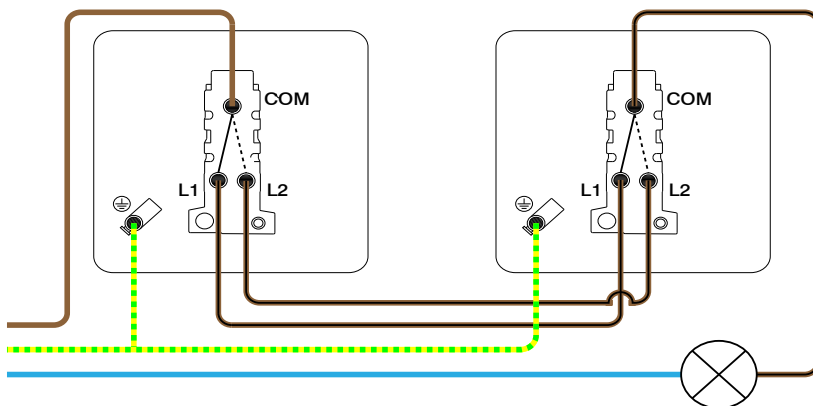
10AX Wide Rocker Switches

Wiring Diagrams

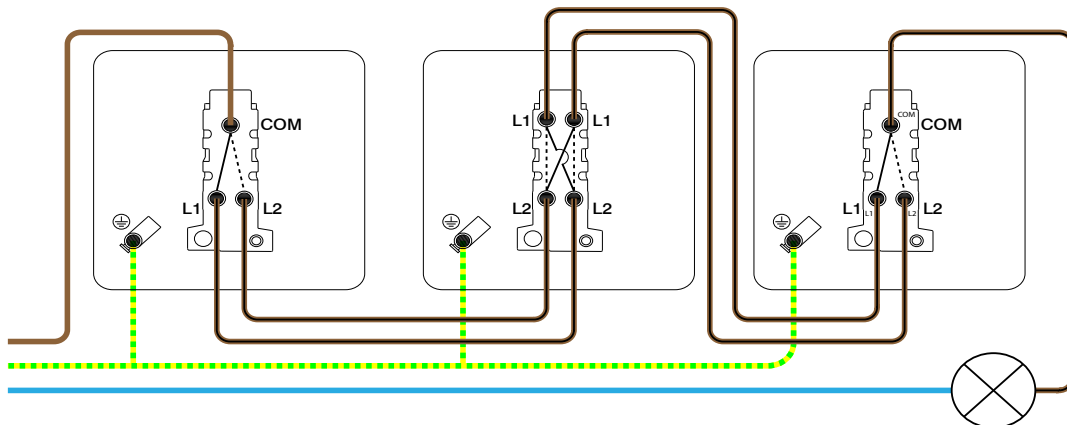
1 Way Switched Circuit



2 Way Switched Circuit



Intermediate Switched Circuit



Errors & Omissions excluded. Specification is subject to change without notice.

V1.0

Scolmore International Ltd, 1 Scolmore Park, Landsberg, Lichfield Road Ind. Estate, Tamworth, Staffordshire, B79 7XB

Telephone: 01827 63454

E-mail: sales@scolmore.com, technical@scolmore.com

Facsimile: 01827 63362

Website: www.scolmore.com

10AX Wide Rocker Switches

Technical Specification

10AX Wide Rocker Switches

Material Composition	Front Plate & Rocker Switch: Urea Rear Housing: Nylon (PA66) Terminals: Brass Terminal Screws: Steel & Yellow Passivated Internal Mechanism: Formed Press Brass Silver “on-lay” Copper / Brass Contacts
Voltage	240V~ 50Hz
Current Rating	10AX (suitable for inductive loads)
Terminal Size	3.5mm ø
Torque Value	0.4Nm
Cable Size	4 x 1.5mm ² or 2 x 2.5mm ²
Back Box Depth	16mm - 47mm
Warranty	20 Years
Anti Microbial Certified	Yes
IP Rating	IP20
Operational Temperature	-5° to +40°C
Standards	The Low Voltage Directive 2006/95/EC IEC 60669-1:1998 (Third Edition) + A1:1999 + A2:2006 Modified ISO 22196

Additional Information

Ensure that the mains supply is isolated before commencing installation and refer to the circuit diagram with the relevant product.

Bare earth cables must always be covered with appropriate sleeving and wired to the earth terminal.

All white moulded accessories are manufactured using Urea Formaldehyde, which has similar inherent properties to antimicrobial additives that inhibit the growth of infectious diseases. All products were independently tested and achieved a 99.9% kill rate across all four types of the strains of bacteria - MRSA, E-Coli, Salmonella, and Klebsiella Pneumoniae.

CLICK[®] MODE

DECLARATION OF CONFORMITY

1. *Issuer Name* Scolmore International Limited
2. *Issuer Address* 1 Scolmore Park, Landsberg,
Lichfield Road Industrial Estate,
Tamworth, Staffordshire, B79 7XB
3. *Object(s) of Declaration* Mode Range
 - a. *Group* 10AX Wide Rocker Switches
 - b. *Model No.* CMA810, CMA811, CMA812, CMA813, CMA825, CMA828
4. *The object of the declaration described above is in conformity with the requirements of the following Legislations:*

Document No	Title
2006/95/EC	Low Voltage Directive

5. *All products contained within the aforementioned comply with the relevant standards and requirements listed below.*

IEC 60669-1:1998 (Third Edition) + A1:1999 + A2:2006

6. *I hereby declare that the equipment named above has been designed to comply with the relevant sections of the above referenced specifications. The unit complies with all applicable Essential Requirements of the Directives.*

In conjunction with the above all manufacture and process controls are in accordance with ISO 9001:2008

Signed, for and on behalf of: Scolmore International Limited



Steven Bettson BSc - Senior Technical Support Engineer

CE 15