

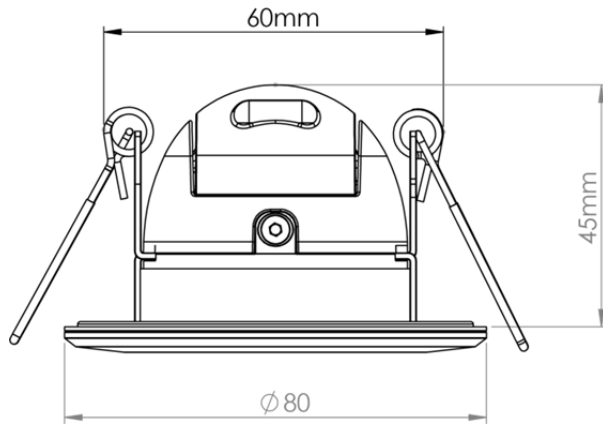
**SPECIFICATION SHEET**

Product Code

LED5400\*5♦D

Description

4.8W Dimmable Integrated SMD LED  
Downlight – IP65, Fire & Acoustic Rated



General Information	
Dimmable/Non-Dimmable	Dimmable
Bezel Finishes Available	Replace* with: White (WH), Chrome (CH) or Satin Chrome (SC)
LED Colour Temperatures available (♦)	(W) 2700K (Warm) (C) 4000K (Cool)
Material composition	Steel, Aluminium, ABS, Nylon & Polycarbonate
Cut-Out	60mm
Ceiling Thickness	5-40mm
Ceiling Void depth	45mm+
Dimensions	Height 50mm, Diameter 80mm, 30cm Fly-lead
Warranty	2 Years
Weight	0.208Kg
Light Output Information	
Beam Angle	40°
CRI	80
LED Lifetime (L70)	25,000hours
Total Luminous Flux (Useful)	400lm (340lm) 450lm (390lm)
Output Wattage (approx.)	3.8W
Total Luminous Efficacy (Effective)	83 lm/W (71 lm/W) 94 lm/W (81 lm/W)
Power Factor	0.8
Driver Information	
Connection	Integrated Flow® Connector
Input	220-240Vac / Rated 4.8W MAX
Output	75mA / 50V DC
Switching Cycles	20,000
Critical Temperature	80°C
Part L1 Compliance (as of 2014)	Yes Yes
Part L2 Compliance (as of 2014)	Yes Yes
Regulation Ratings	
Fire Rating	30, 60 & 90 minute
Ingress Protection Rating	IP65 (Zone 1)
Acoustic Rating	0dB (zero impact on sound insulation)
Air Flow	BS 5250: 2011 compliant
Class	I
Standards	
BS EN 55015: 2006/+A1: 2007/+A2: 2009, BS EN 61547: 2009 BS EN 61000-3-2: 2006+A1: 2009+A2: 2009, BS EN 61000-3-3: 2008 BS EN 62493: 2010	

Errors & Omissions excluded. Specification is subject to change without notice.

V1.0

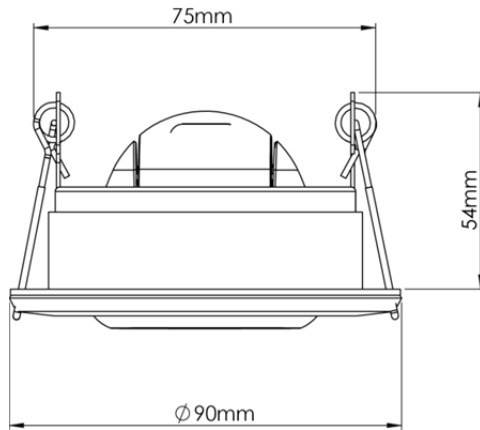
## SPECIFICATION SHEET

Product Code

LED5405\*5♦D

Description

4.8W Dimmable Integrated Adjustable SMD LED Downlight – IP54, Fire & Acoustic Rated



General Information	
Dimmable/Non-Dimmable	<b>Dimmable</b>
Bezel Finishes Available	Replace* with: White (WH), Chrome (CH) or Satin Chrome (SC)
LED Colour Temperatures available (♦)	(W) 2700K (Warm)   (C) 4000K (Cool)
Material composition	Steel, Aluminium, ABS, Nylon & Polycarbonate
Cut-Out	75mm
Ceiling Thickness	5-40mm
Ceiling Void depth	54mm+
Dimensions	Height 54mm, Diameter 90mm, 20° Adjustable Angle, 30cm Fly-lead
Warranty	2 Years
Weight	0.284Kg
Light Output Information	
Beam Angle	40°
CRI	80
LED Lifetime (L70)	25,000hours
Total Luminous Flux (Useful)	400lm (340lm)   450lm (390lm)
Output Wattage (approx.)	3.8W
Total Luminous Efficacy (Effective)	83 lm/W (71 lm/W)   94 lm/W (81 lm/W)
Power Factor	0.8
Driver Information	
Connection	Integrated Flow® Connector
Input	220-240Vac / Rated 4.8WMAX
Output	75mA / 50V DC
Switching Cycles	20,000
Critical Temperature	80°C
Part L1 Compliance (as of 2014)	Yes   Yes
Part L2 Compliance (as of 2014)	Yes   Yes
Regulation Ratings	
Fire Rating	30, 60 & 90 minute
Ingress Protection Rating	IP54
Acoustic Rating	0dB (zero impact on sound insulation)
Air Flow	BS 5250: 2011 compliant
Class	I
Standards	
BS EN 55015: 2006/+A1: 2007/+A2: 2009, BS EN 61547: 2009 BS EN 61000-3-2: 2006+A1: 2009+A2: 2009, BS EN 61000-3-3: 2008 BS EN 62493: 2010	

Errors & Omissions excluded. Specification is subject to change without notice.

V1.0