



Round Pin Socket Outlets



The smooth modern lines of the Define accessory plate will fit easily into traditional and contemporary designs alike.

All Define Round Pin sockets are tested and approved to BS546 offering assured quality and safety.

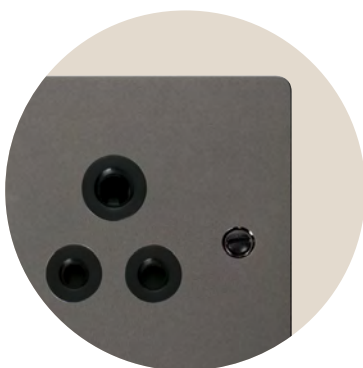
Round Pin Socket Outlets

Product Range

Finish Comparison



Brushed Steel (BS)



Black Nickel (BN)



Pearl Nickel (PN)



Polished Chrome (CH)



Stainless Steel (SS)

Round Pin Socket Outlets

Product Range

13A UK Socket Outlets

FP038##**

5A Round Pin Socket Outlet

FP039##**

2A Round Pin Socket Outlet



FPCH038BK

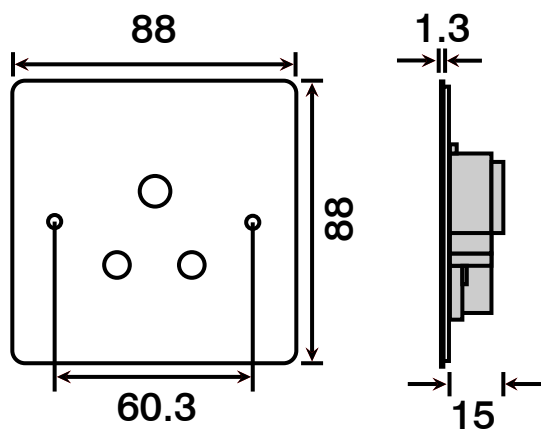


FPSS039WH

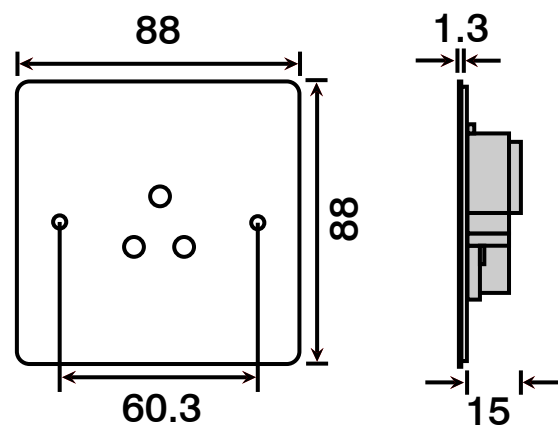
Round Pin Socket Outlets

Product Dimensional Drawings (mm)

FP**038

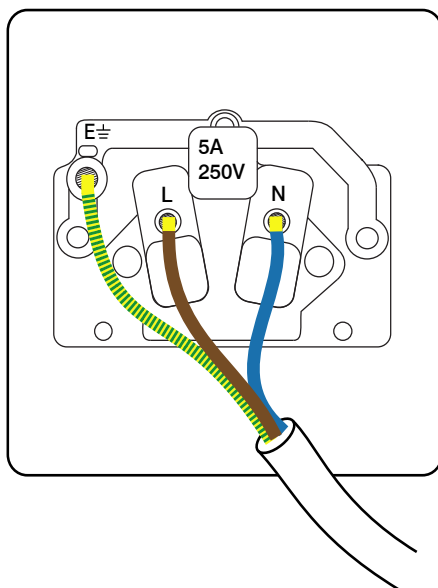


FP**039

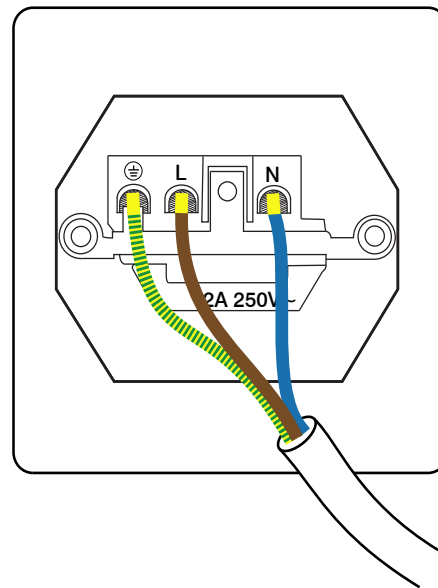


Product Wiring Diagram

FP**038



FP**039



Round Pin Socket Outlets**Technical Specification****Round Pin Socket Outlets**

Material Composition	Front Plate: Stainless Steel
	Rear Housing: Urea
	Terminals: Brass
	Earth Strap: Mild Steel
	Terminal Screws: Steel & Yellow Passivated
	Silver “on-lay” Copper / Brass Contacts
Voltage	240V~ 50Hz
Current Rating	5A / 2A
Terminal Size	5mm ø
Torque Value	1.2Nm (5A) / 0.4Nm (2A)
Cable Size	2 x 2.5mm ² / 3 x 1.5mm ²
Back Box Depth	25mm - 47mm
Warranty	20 Years
IP Rating	IP20
Operational Temperature	-5° to +40°C
Standards	The Low Voltage Directive 2006/95/EC
	BS 546:1950

Additional Information

Ensure that the mains supply is isolated before commencing installation and refer to the circuit diagram with the relevant product.

Bare earth cables must always be covered with appropriate sleeving and wired to the earth terminal.

DECLARATION OF CONFORMITY

1. *Issuer Name* Scolmore International Limited
2. *Issuer Address* 1 Scolmore Park, Landsberg,
Lichfield Road Industrial Estate,
Tamworth, Staffordshire, B79 7XB
3. *Object(s) of Declaration* Define Range
 - a. *Group* Round Pin Sockets
 - b. *Model No.* FP-038, FP-039
4. *The object of the declaration described above is in conformity with the requirements of the following Legislations:*

Document No	Title
2006/95/EC	Low Voltage Directive

5. *All products contained within the aforementioned comply with the relevant standards and requirements listed below.*

BS 546:1950

6. *I hereby declare that the equipment named above has been designed to comply with the relevant sections of the above referenced specifications. The unit complies with all applicable Essential Requirements of the Directives.*

In conjunction with the above all manufacture and process controls are in accordance with ISO 9001:2008

Signed, for and on behalf of: Scolmore International Limited



Steven Bettson BSc - Senior Technical Support Engineer

CE 13