



10AX Toggle Switches



The smooth modern lines of the Deco accessory plate will fit easily into traditional and contemporary designs alike.

Deco Toggle switches are developed largely as a modular range and are interchangeable with other Toggle Switch modules in the CLICK MINIGRID Module range.

10AX Toggle Switches

Product Range

Finish Comparison



Antique Brass (AB)



Polished Brass (BR)



Polished Chrome (CH)



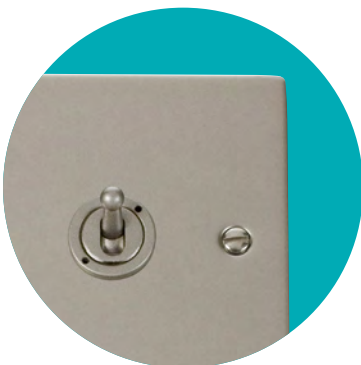
Satin Chrome (SC)



Satin Brass (SB)



Black Nickel (BN)



Pearl Nickel (PN)



Stainless Steel (SS)



Georgian Cast Brass (GCBR)

V1.0

10AX Toggle Switches

Product Range

10AX Toggle Switches

VP**421	10AX 1 Gang 2 Way Toggle Switch
VP**422	10AX 2 Gang 2 Way Toggle Switch
VP**423	10AX 3 Gang 2 Way Toggle Switch
VP**424	10AX 4 Gang 2 Way Toggle Switch



VPCH421



VPAB422



VPBN423



VPSB424

10AX Toggle Switches

10AX Intermediate Toggle Switch Module

MD9125**

10AX Intermediate Toggle Switch Module

Module Finish

CH - Chrome

PN - Pearl Nickel

BR - Brass

BN - Black Nickel

AB - Antique Brass

Plate Finish

Chrome

Pearl Nickel, Satin Chrome & Stainless Steel

Brass & Satin Brass

Black Nickel

Antique Brass



MD9125CH



MD9125PN



MD9125BR



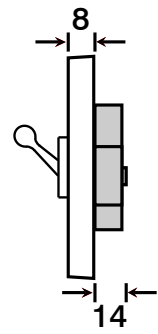
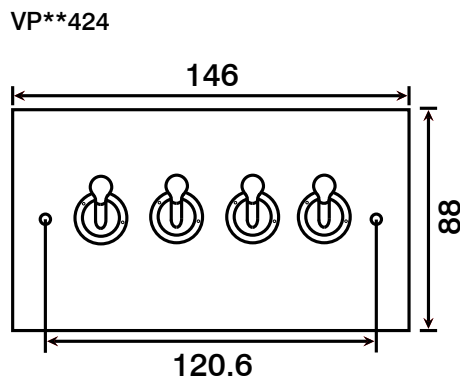
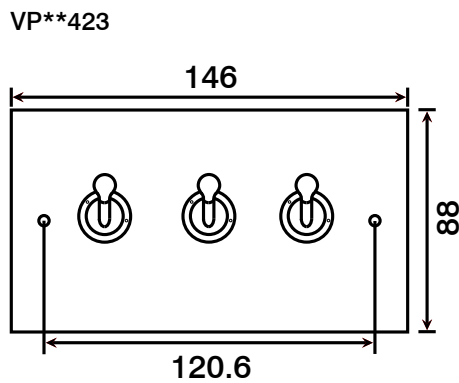
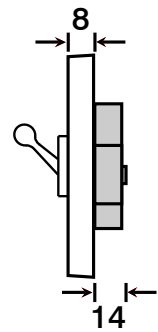
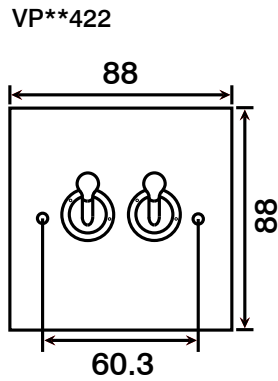
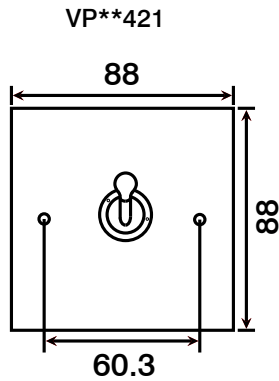
MD9125BN



MD9125AB

10AX Toggle Switches

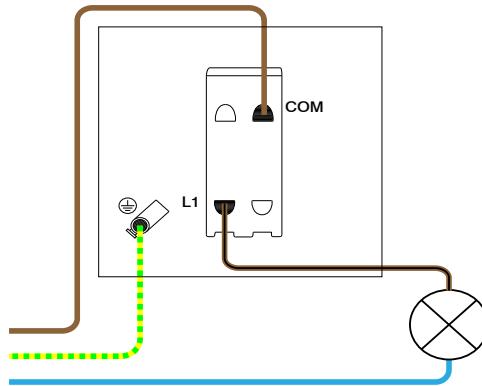
Product Dimensional Drawings (mm)



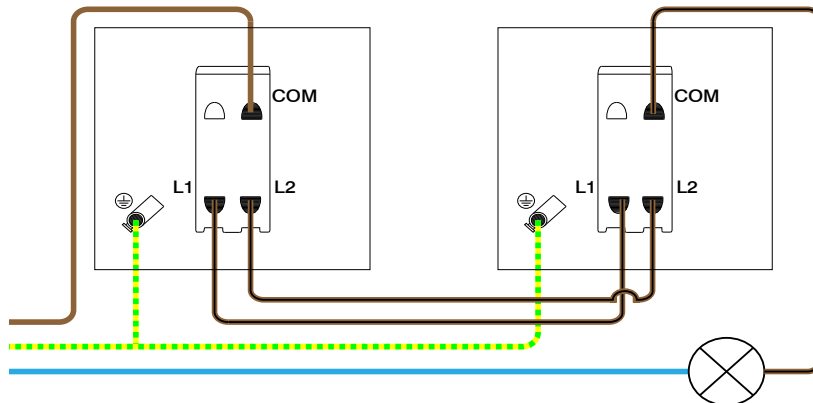
10AX Toggle Switches

Wiring Diagrams

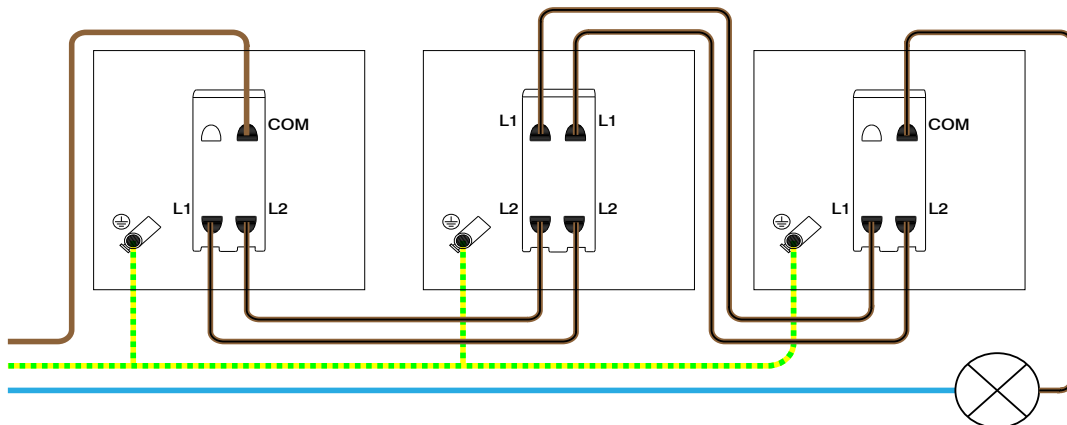
1 Way Switched Circuit



2 Way Switched Circuit



Intermediate Switched Circuit



Errors & Omissions excluded. Specification is subject to change without notice.

V1.0

Scolmore International Ltd, 1 Scolmore Park, Landsberg, Lichfield Road Ind. Estate, Tamworth, Staffordshire, B79 7XB

Telephone: 01827 63454

E-mail: sales@scolmore.com, technical@scolmore.com

Facsimile: 01827 63362

Website: www.scolmore.com

10AX Toggle Switches

Technical Specification

10AX Toggle Switch Plates

Material Composition	Front Plate: Stainless Steel Rear Housing: Nylon Terminals: Brass Earth Strap: Mild Steel Terminal Screws: Steel & Yellow Passivated Silver “on-lay” Copper / Brass Contacts
Voltage	240V a.c. 50Hz
Current Rating	10AX (suitable for inductive loads)
Terminal Size	4.9mm x 4.1mm
Torque Value	1.2Nm
Cable Size	4 x 1.5mm ² or 2 x 2.5mm ²
Back Box Depth	25mm - 47mm
Modular	Yes (With Toggle switches only)
Warranty	10 Years
IP Rating	IP20
Operational Temperature	-5° to +40°C
Standards	The Low Voltage Directive 2006/95/EC BS EN 60669-1:1999 + A1:2002 + A2:2008

Additional Information

Ensure that the mains supply is isolated before commencing installation and refer to the circuit diagram with the relevant product.

Bare earth cables must always be covered with appropriate sleeving and wired to the earth terminal.

Interchangeable with toggle switches in the MINIGRID system.





DECLARATION OF CONFORMITY

1. *Issuer Name* Scolmore International Limited
2. *Issuer Address* 1 Scolmore Park, Landsberg,
Lichfield Road Industrial Estate,
Tamworth, Staffordshire, B79 7XB
3. *Object(s) of Declaration* Deco Range
- a. *Group* Toggle Switches
- b. *Model No.* VP-421, VP-422, VP-423, VP-424
4. *The object of the declaration described above is in conformity with the requirements of the following Legislations:*
- | Document No | Title |
|-------------|-----------------------|
| 2006/95/EC | Low Voltage Directive |

5. *All products contained within the aforementioned comply with the relevant standards and requirements listed below.*

EN 60669-1:1999 + A1:2002 + A2:2008

6. *I hereby declare that the equipment named above has been designed to comply with the relevant sections of the above referenced specifications. The unit complies with all applicable Essential Requirements of the Directives.*

In conjunction with the above all manufacture and process controls are in accordance with ISO 9001:2008

Signed, for and on behalf of: Scolmore International Limited

Steven Bettson BSc - Senior Technical Support Engineer

CE 13